



2026  
**Product catalogue**

# Table of Contents

<b>SECTION 1</b>	Opaque Ceramic Bracket
<b>SECTION 2</b>	Stainlees Steel Brackets
<b>SECTION 3</b>	Opaque Composite Bracket
<b>SECTION 4</b>	Opaque Composite Buttons
<b>SECTION 5</b>	Clear Composite Bracket
<b>SECTION 6</b>	Opaque CNC Bracket
<b>SECTION 7</b>	Clear Ceramic SL Bracket
<b>SECTION 8</b>	Clear Ceramic PSP Bracket
<b>SECTION 9</b>	Clear Composite Bite Guide
<b>SECTION 10</b>	AU-Twin Bracket
<b>SECTION 11</b>	Maxi Metal Twin Bracket
<b>SECTION 12</b>	Clear Aligners

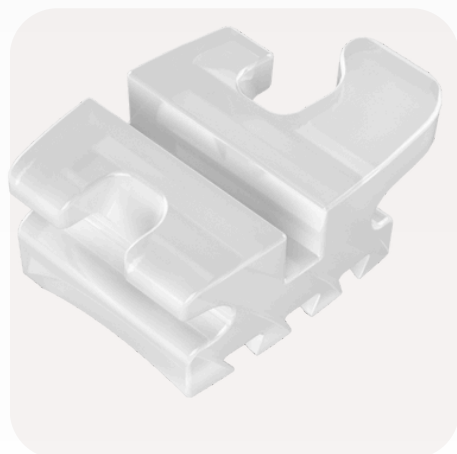
# OPAQUE CERAMIC BRACKET



**771 SERIES**

## OPAQUE CERAMIC BRACKET 771 SERIES

Maxillary	Torque	Ang.	inch	IN / OUTmm	.018 Right	.018 Left	.022 Right	.022 Left
<b>Central</b>	12°	5°	0.041	1.0414	771-0161-000	771-0151-000	771-0161-000	771-0151-000
<b>Lateral</b>	8°	9°	0.041	1.0414	771-0181-000	771-0171-000	771-0181-000	771-0171-000
<b>Cuspid</b>	0°	11°	0.06	1.524	771-0201-000	771-0201-000	771-0201-000	771-0201-000
<b>Cuspid Hook</b>	0°	11°	0.06	1.524	771-0201-000	771-1191-100	771-0201-100	771-1191-100
<b>Univ. Bicuspid</b>	-7°	0°	0.041	1.0414	771-1241-000	771-1241-000	771-1241-000	771-1241-000
<b>Univ. Bicuspid Hook</b>	-7°	0°	0.041	1.0414	771-1241-100	771-1241-100	771-1241-100	771-1241-100
Mandibular	Torque	Ang.	inch	IN / OUTmm	.018 Right	.018 Left	.022 Right	.022 Left
<b>Low Anterior</b>	0°	0°	0.06	1.524	771-0641-000	771-0641-000	771-0642-000	771-0642-000
<b>Cuspid</b>	-11°	5°	0.04	1.0414	771-0281-000	771-0271-000	771-0282-000	771-0272-000
<b>Cuspid Hook</b>	-11°	5°	0.04	1.0414	771-0281-000	771-0271-100	771-0282-100	771-0272-100
<b>Univ. 1ST Bicuspid</b>	-17°	0°	0.04	1.0414	771-0311-000	771-0351-000	771-0312-000	771-0352-000
<b>Univ. 1ST Bicuspid Hook</b>	-17°	0°	0.04	1.0414	771-0311-100	771-0351-100	771-0312-100	771-0352-100
<b>Univ. 2ND Bicuspid</b>	-22°	0°	0.04	1.0414	771-0351-000	771-0351-000	771-0352-000	771-0352-000
<b>Univ. 2ND Bicuspid Hook</b>	-22°	0°	0.04	1.0414	771-0351-100	771-0351-100	771-0312-100	771-0352-100

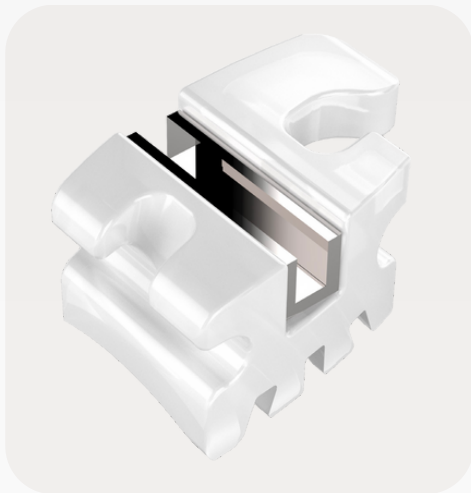


**775 SERIES**

## OPAQUE CERAMIC BRACKET 775 SERIES

Maxillary	Torque	Ang.	inch	IN / OUTmm	.018 Right	.018 Left	.022 Right	.022 Left
<b>Central</b>	12°	5°	0.041	1.0414	775-0161-000	775-0151-000	775-0161-000	775-0152-000
<b>Lateral</b>	8°	9°	0.041	1.0414	775-0181-000	775-0171-000	775-0172-000	775-0182-000
<b>Cuspid</b>	0°	11°	0.600	15.24	775-0201-000	775-0201-000	775-0192-000	775-0202-000
<b>Cuspid Hook</b>	0°	11°	0.600	15.24	775-0191-000	775-0191-100	775-0192-100	775-0202-100
<b>Cuspid Alt.Torque</b>	-7°	8°	0.038	0.97	775-0221-000	775-0211-000	775-0222-000	775-0221-000
<b>Cuspid Hook Alt. Tor</b>	-7°	8°	0.038	0.97	775-0221-100	775-0211-100	775-0222-100	775-0221-100
<b>Univ. Bicuspid</b>	-7°	0°	0.041	1.0414	775-1241-000	771-1241-000	771-1241-000	771-1242-000
<b>Univ. Bicuspid Hook</b>	-7°	0°	0.041	1.0414	775-1241-100	771-1241-100	771-1241-100	771-1242-100
Mandibular	Torque	Ang.	inch	IN / OUTmm	.018 Right	.018 Left	.022 Right	.022 Left
<b>Low Anterior</b>	-6°	0°	0.6	15.24	775-0641-000	775-0641-000	775-0642-000	775-0642-000
<b>Cuspid</b>	-11°	5°	0.038	0.97	775-0281-000	775-0271-000	775-0282-000	775-0272-000
<b>Cuspid Hook</b>	-11°	5°	0.038	0.97	775-0281-100	775-0271-100	775-0282-100	775-0272-100
<b>Cuspid Alt.Torque</b>	-6°	3°	0.038	0.97	771-0301-000	775-0291-000	775-0302-000	775-0292-000
<b>Cuspid Hook Alt. Tor</b>	-6°	3°	0.038	0.97	771-0301-100	775-0291-100	775-0302-100	775-0302-100
<b>Univ. 1ST Bicuspid</b>	-17°	0°	0.043	1.09	771-0321-000	775-0311-000	775-0322-000	775-0312-000
<b>Univ. 2ND Bicuspid</b>	-17°	0°	0.043	1.09	771-0361-000	775-0351-000	775-0362-000	775-0352-000
<b>1ST Bicuspid Hook</b>	-17°	0°	0.043	1.09	771-0321-100	775-0311-100	775-0322-100	775-0312-100
<b>2<sup>ND</sup> Bicuspid Hook</b>	-22°	0°	0.043	1.09	771-0361-100	775-0351-100	775-0362-100	775-0352-100

# OPAQUE CERAMIC BRACKET



**721 SILVER SERIES**

OPAQUE CERAMIC BRACKET 721 SILVER SERIES								
Maxillary	Torque	Ang.	inch	IN / OUTmm	.018 Right	.018 Left	.022 Right	.022 Left
Central	12°	5°	0.041	1.0414	721-0161-029	771-0151-000	721-0162-029	721-0152-029
Lateral	8°	9°	0.041	1.0414	721-0181-029	721-0171-029	721-0182-029	721-0172-029
Cuspid	0°	11°	0.06	1.524	721-0201-029	721-0191-029	721-0202-029	721-0172-029
Cuspid Hook	0°	11°	0.06	1.524	721-0201-129	721-0191-129	721-0202-129	721-0192-129
Univ. Bicuspid	-7°	0°	0.041	1.0414	721-1241-029	721-1241-029	721-1242-029	721-1242-029
Univ. Bicuspid Hook	-7°	0°	0.041	1.0414	721-1241-129	721-1241-129	721-1242-129	721-1242-029
Mandibular	Torque	Ang.	inch	IN / OUTmm	.018 Right	.018 Left	.022 Right	.022 Left
Low Anterior	0°	0°	0.06	1.524	721-0641-029	721-0641-029	721-0642-029	721-0642-029
Cuspid	-11°	5°	0.04	1.0414	721-0281-029	721-0271-029	721-0282-029	721-0272-029
Cuspid Hook	-11°	5°	0.04	1.0414	721-0281-129	721-0271-129	721-0289-129	721-0272-129
Univ. 1ST Bicuspid	-17°	0°	0.04	1.0414	721-0311-029	721-0311-029	721-0312-029	721-0312-029
Univ. 1ST Bicuspid Hook	-17°	0°	0.04	1.0414	721-0311-129	721-0311-129	721-0312-129	721-0312-126
Univ. 2ND Bicuspid	-22°	0°	0.04	1.0414	721-0351-029	721-0351-029	721-0352-029	721-0352-029
Univ. 2ND Bicuspid Hool	-22°	0°	0.04	1.0414	721-0351-129	721-0351-129	721-0352-129	721-0352-129



**722 BIO SERIES**

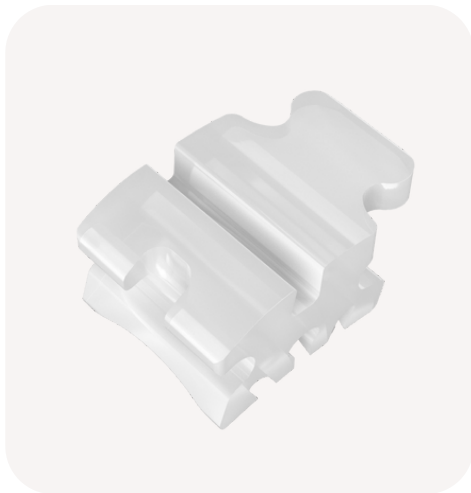
OPAQUE CERAMIC BRACKET 722 BIO SERIES								
Maxillary	Torque	Ang.	inch	IN / OUTmm	.018 Right	.018 Left	.022 Right	.022 Left
Central	22°	0°	0.041	1.0414	772-0011-000	772-0011-000	N/A	N/A
Lateral	14°	8°	0.041	1.0414	772-0181-000	772-0171-000	N/A	N/A
Cuspid	7°	5°	0.06	1.524	772-0201-000	772-0191-000	N/A	N/A
Cuspid Hook	7°	5°	0.06	1.524	721-0201-100	721-0191-100	N/A	N/A
Univ. Bicuspid Hook	0°	0°	0.041	1.0414	772-0051-100	772-0051-100	N/A	N/A
Mandibular	Torque	Ang.	inch	IN / OUTmm	.018 Right	.018 Left	.022 Right	.022 Left
Low Anterior	0°	0°	0.06	1.524	USES	Other Rx	N/A	N/A
Cuspid	-11°	5°	0.04	1.0414	USES	Other Rx	N/A	N/A
Cuspid Hook	-11°	5°	0.04	1.0414	USES	Other Rx	N/A	N/A
Univ. 1ST Bicuspid	-17°	0°	0.04	1.0414	USES	Other Rx	N/A	N/A
Univ. 1ST Bicuspid Hook	-17°	0°	0.04	1.0414	USES	Other Rx	N/A	N/A
Univ. 2ND Bicuspid	-22°	0°	0.04	1.0414	USES	Other Rx	N/A	N/A
Univ. 2ND Bicuspid Hool	-22°	0°	0.04	1.0414	USES	Other Rx	N/A	N/A



**777 RICKETTS SERIES**

OPAQUE CERAMIC BRACKET 777 RICKETTS SERIES								
Maxillary	Torque	Ang.	inch	IN / OUTmm	.018 Right	.018 Left	.022 Right	.022 Left
Central	12°	5°	0.041	1.0414	777-0161-000	772-0011-000	N/A	N/A
Lateral					USES	Other Rx	N/A	N/A
Cuspid					USES	Other Rx	N/A	N/A
Cuspid Hook					USES	Other Rx	N/A	N/A
Univ. Bicuspid Hook					USES	Other Rx	N/A	N/A
Mandibular	Torque	Ang.	inch	IN / OUTmm	.018 Right	.018 Left	.022 Right	.022 Left
Low Anterior					USES	Other Rx	N/A	N/A
Cuspid					USES	Other Rx	N/A	N/A
Cuspid Hook					USES	Other Rx	N/A	N/A
Univ. 1ST Bicuspid	-11°	0°	0.04	1.04	777-0311-000	777-0311-000	N/A	N/A
Univ. 1ST Bicuspid Hook	-11°	0°	0.04	1.04	777-0311-100	777-0311-000	N/A	N/A
Univ. 2ND Bicuspid						Other Rx	N/A	N/A
Univ. 2ND Bicuspid Hool						Other Rx	N/A	N/A

# OPAQUE CERAMIC BRACKET



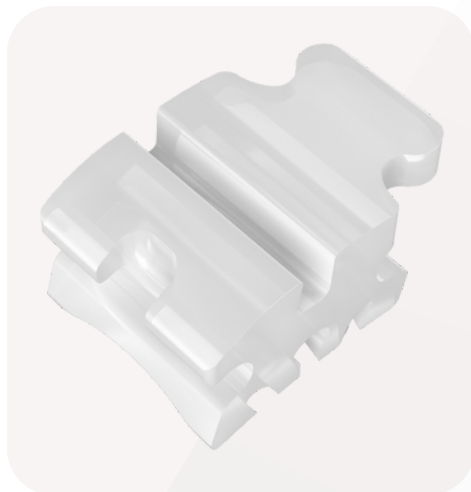
**7D1 SERIES**

## OPAQUE CERAMIC BRACKET 7D1 SERIES

Maxillary	Torque	Ang.	inch	IN / OUTmm	.018 Right	.018 Left	.022 Right	.022 Left
<b>Central</b>	12°	5°	0.041	1.0414	7D1-0161-000	7D1-0151-000	7D1-0162-000	7D1-0152-000
<b>Lateral</b>	8°	9°	0.041	1.0414	7D1-0181-000	7D1-0171-000	7D1-0182-000	7D1-0172-000
<b>Cuspid Hook</b>	0°	11°	0.06	0.060	7D1-0201-100	7D1-0191-100	7D1-0202-100	7D1-0192-100
<b>Univ. Bicuspid</b>	-7°	0°	0.041	1.0414	7D1-1241-000	7D1-1241-000	7D1-1242-000	7D1-1242-000
<b>Univ. Bicuspid Hook</b>	-7°	0°	0.041	1.0414	7D1-1241-100	7D1-1241-100	7D1-1242-100	7D1-1242-100

Mandibular	Torque	Ang.	inch	IN / OUTmm	.018 Right	.018 Left	.022 Right	.022 Left
<b>Low Anterior</b>	0°	0°	0.06	1.524	7D1-0641-000	7D1-0641-000	7D1-0642-000	7D1-0642-000
<b>Cuspid Hook</b>	-11°	5°	0.04	1.0414	7D1-0281-000	7D1-0271-000	7D1-0282-000	7D1-0272-000
<b>Univ. 1ST Bicuspid</b>	-17°	0°	0.04	1.0414	7D1-0311-000	7D1-0311-000	7D1-0312-000	7D1-0312-000
<b>Univ. 1ST Bicuspid Hook</b>	-17°	0°	0.04	1.0414	7D1-0311-000	7D1-0311-000	7D1-0312-000	7D1-0312-000
<b>Univ. 2ND Bicuspid</b>	-22°	0°	0.04	1.0414	7D1-0351-000	7D1-0351-000	7D1-0352-000	7D1-0352-000
<b>Univ. 2ND Bicuspid Hook</b>	-22°	0°	0.04	1.0414	7D1-0351-100	7D1-0351-100	7D1-0352-100	7D1-0352-100



**7D5 SERIES**

## OPAQUE CERAMIC BRACKET 7D5 SERIES

Maxillary	Torque	Ang.	inch	IN / OUTmm	.018 Right	.018 Left	.022 Right	.022 Left
<b>Central</b>	12°	5°	0.041	1.0414	7D5-0161-000	7D5-0151-000	7D5-0162-000	7D5-0152-000
<b>Lateral</b>	8°	9°	0.041	1.0414	7D5-0181-000	7D5-0171-000	7D5-0182-000	7D5-0172-000
<b>Cuspid Hook</b>	0°	11°	0.06	1.524	7D5-0201-100	7D5-0191-100	7D5-0202-100	7D5-0192-100
<b>Cuspid Hook Alt. Torque</b>	-7°	0°	0.06	1.524	7D5-0221-100	7D5-0211-100	7D5-0222-100	7D5-0112-100
<b>Univ. Bicuspid</b>	-7°	0°	0.041	1.0414	7D5-1241-000	7D5-1241-000	7D5-1242-000	7D5-1242-000
<b>Univ. Bicuspid Hook</b>	-7°	0°	0.041	1.0414	7D5-1241-100	7D5-1241-100	7D5-1242-100	7D5-1242-100

Mandibular	Torque	Ang.	inch	IN / OUTmm	.018 Right	.018 Left	.022 Right	.022 Left
<b>Low Anterior</b>	0°	0°	0.06	1.524	7D5-0641-000	7D5-0641-000	7D5-0642-000	7D5-0642-000
<b>Cuspid Hook</b>	-11°	5°	0.04	1.0414	7D5-0281-100	7D5-0271-100	7D5-0272-100	7D5-0282-100
<b>Cuspid Hook Alt. Torque</b>	-6°	3°	0.06	1.0414	7D5-0301-100	7D5-0291-100	7D5-0292-100	7D5-0302-100
<b>Univ. 1ST Bicuspid</b>	-17°	0°	0.04	1.0414	7D5-0311-000	7D5-0311-000	7D5-0312-000	7D5-0312-000
<b>Univ. 1ST Bicuspid Hook</b>	-17°	0°	0.04	1.0414	7D5-0311-000	7D5-0311-000	7D5-0312-000	7D5-0312-000
<b>Univ. 2ND Bicuspid</b>	-22°	0°	0.04	1.0414	7D5-0311-000	7D5-0311-000	7D5-0352-000	7D5-0352-000
<b>Univ. 2ND Bicuspid Hook</b>	-22°	0°	0.04	1.0414	7D5-0311-000	7D5-0311-000	7D5-0312-000	7D5-0312-000



**7X1 SERIES**

## OPAQUE CERAMIC BRACKET 7X1 SERIES

Maxillary	Torque	Ang.	inch	IN / OUTmm	.018 Right	.018 Left	.022 Right	.022 Left
<b>Central</b>	12°	5°	0.041	1.0414	7X1-0161-000	7X1-0151-000	7X1-0162-000	7X1-0152-000
<b>Lateral</b>	8°	9°	0.041	1.0414	7X1-0181-000	7X1-0171-000	7X1-0182-000	7X1-0172-000
<b>Cuspid</b>	0°	11°	0.06	1.524	7X1-0201-000	7X1-0191-100	7X1-0202-000	7X1-0192-100
<b>Cuspid Hook</b>	0°	11°	0.06	1.524	7X1-0201-000	7X1-0191-100	7X1-0202-000	7X1-0192-100
<b>Univ. Bicuspid</b>	-7°	0°	0.041	1.0414	7X1-1241-000	7X1-1241-000	7X1-1242-000	7X1-1242-000
<b>Univ. Bicuspid Hook</b>	-7°	0°	0.041	1.0414	7X1-1241-100	7X1-1241-100	7X1-1242-100	7X1-1242-000

Mandibular	Torque	Ang.	inch	IN / OUTmm	.018 Right	.018 Left	.022 Right	.022 Left
<b>Low Anterior</b>	0°	0°	0.06	1.524	7X1-0641-000	7X1-0641-000	7X1-0642-000	7X1-0642-000
<b>Cuspid</b>	-11°	5°	0.04	1.0414	7X1-0281-000	7X1-0271-000	7X1-0282-000	7X1-0272-000
<b>Cuspid Hook</b>	-11°	5°	0.04	1.0414	7X1-0281-000	7X1-0271-100	7X1-0282-100	7X1-0272-100
<b>Univ. 1ST Bicuspid</b>	-17°	0°	0.04	1.0414	7X1-0311-000	7X1-0311-000	7X1-0312-000	7X1-0312-100
<b>Univ. 1ST Bicuspid Hook</b>	-17°	0°	0.04	1.0414	7X1-0311-100	7X1-0311-100	7X1-0312-100	7X1-0312-100
<b>Univ. 2ND Bicuspid</b>	-22°	0°	0.04	1.0414	7X1-0351-000	7X1-0351-000	7X1-0352-000	7X1-0352-100
<b>Univ. 2ND Bicuspid Hook</b>	-22°	0°	0.04	1.0414	7X1-0351-100	7X1-0351-100	7X1-0352-100	7X1-0352-100

# OPAQUE CERAMIC BRACKET



7X5 SERIES

## OPAQUE CERAMIC BRACKET 7X5 SERIES

Maxillary	Torque	Ang.	inch	IN / OUTmm	.018 Right	.018 Left	.022 Right	.022 Left
<b>Central</b>	12°	5°	0.041	1.0414	7X5-0161-000	7X5-0151-000	7X5-0162-000	7X5-0152-000
<b>Lateral</b>	8°	9°	0.041	1.0414	7X5-0181-000	7X5-0171-000	7X5-0182-000	7X5-0172-000
<b>Cuspid</b>	0°	11°	0.06	1.524	7X5-0201-000	7X5-0191-000	7X5-0202-000	7X5-0192-000
<b>Cuspid Hook</b>	0°	11°	0.06	1.524	7X5-0201-100	7X5-0191-100	7X5-0202-100	7X5-0192-100
<b>Cuspid Alt. torque</b>	-7°	8°	0.038	0.97	7X5-0221-000	7X5-0211-000	7X5-0222-000	7X5-0212-000
<b>Cuspid Hook Alt. torque</b>	-7°	8°	0.038	0.97	7X5-0221-100	7X5-0211-100	7X5-0222-100	7X5-0212-100
<b>Univ. Bicuspid</b>	-7°	0°	0.041	1.0414	7X1-1241-000	7X1-1241-000	7X1-1242-000	7X1-1242-000
<b>Univ. Bicuspid Hook</b>	-7°	0°	0.041	1.0414	7X1-1241-100	7X1-1241-100	7X1-1242-100	7X1-1242-100
Mandibular	Torque	Ang.	inch	IN / OUTmm	.018 Right	.018 Left	.022 Right	.022 Left
<b>Low Anterior</b>	0°	0°	0.06	1.524	7X5 -0641-000	7X5 -0641-000	7X5-0642-000	7X5-0642-000
<b>Cuspid</b>	-11°	5°	0.038	0.97	7X5-0281-000	7X5-0271-000	7X5-0282-000	7X5-0272-000
<b>Cuspid Hook</b>	-11°	5°	0.038	0.97	7X5-0281-100	7X5 -0271-100	7X5-0282-100	7X5-0272-100
<b>Cuspid Alt. torque</b>	-6°	3°	0.038	0.97	7X5 -0301-000	7X5-0291-000	7X5-0302-000	7X5-0292-000
<b>Cuspid Hook Alt.torque</b>	-6°	3°	0.038	0.97	7X5-0301-100	7X5-0291-100	7X5-0302-100	7X5-0292-100
<b>Univ. 1ST Bicuspid</b>	-17°	0°	0.04	1.09	7X1-0311-000	7X1-0311-000	7X1-0312-000	7X1-0312-000
<b>Univ. 1ST Bicuspid Hook</b>	-17°	0°	0.04	1.09	7X5 -0311-000	7X5 -0311-000	7X5-0312-000	7X5-0312-000
<b>Univ. 2ND Bicuspid</b>	-22°	0°	0.04	1.09	7X1-0311-100	7X1-0311-100	7X1-0312-100	7X1-0312-100
<b>Univ. 2ND Bicuspid Hook</b>	-22°	0°	0.04	1.09	7X5 -0311-100	7X5 -0311-100	7X5-0312-100	7X5-0312-100

# STAINLESS STEEL BRACKETS



2F1 SERIES

## STAINLESS STEEL BRACKET 2F1 SERIES

Maxillary	Torque	Ang.	inch	IN / OUTmm	.018 Right	.018 Left	.022 Right	.022 Left
<b>Central</b>	12°	5°	0.041	1.1	2F 1-0161-070	2F 1-0151-070	2F1-0161-070	2F1-0152-070
<b>Lateral</b>	8°	9°	0.06	1.4	2F 1-0181-070	2F 1-0171-070	2F1-0182-070	2F1-017-2070
<b>Cuspid Hook</b>	-2°	10°	0.06	1.4	2F 1-0201-170	2F 1-0191-170	2F1-0202-170	2F1-0192-170
<b>Univ. 1ST Bicuspid</b>	-7°	0°	0.06	1.4	2F 1-0241-070	2F 1-0231-070	2F1-0242-070	2F1-0232-070
<b>Univ. 1ST Bicuspid Hook</b>	-7°	0°	0.06	1.4	2F 1-0241-170	2F 1-0231-170	2F1-0242-170	2F1-0232-170
<b>Univ. 2ND Bicuspid</b>	-7°	0°	0.06	1.4	2F 1-0261-170	2F 1-0251-070	2F1-0262-070	2F1-0252-070
<b>Univ. 2ND Bicuspid Hook</b>	-7°	0°	0.06	1.4	2F 1-0261-170	2F 1-0251-170	2F1-0262-170	2F1-0252-170
Mandibular	Torque	Ang.	inch	IN / OUTmm	.018 Right	.018 Left	.022 Right	.022 Left
<b>Low Anterior</b>	0°	0°	0.06	1.4	2F1-0641-070	2F1-0641-070	2F 1-06 42-070	2F 1-0652-070
<b>Cuspid Hook</b>	-11°	7°	0.04	1.1	2F 1-0281-070	2F 1-0671-170	2F 1-0282-170	2F 1-0273 -170
<b>Univ. 1ST Bicuspid</b>	-17°	0°	0.04	1.1	2F 1-0321-070	2F 1-0311-070	2F 1-0322-070	2F 1-0312-070
<b>Univ. 1ST Bicuspid Hook</b>	-17°	0°	0.04	1.1	2F 1-0321-170	2F 1-0311-170	2F 1-0322-170	2F 1-0312-170
<b>Univ. 2ND Bicuspid</b>	-22°	0°	0.04	1.1	2F 1-0361-070	2F 1-0351-070	2F 1-0362-070	2F 1-0352-070
<b>Univ. 2ND Bicuspid Hook</b>	-22°	0°	0.04	1.1	2F 1-0361-17	2F 1-0511-170	2F 1-0362-170	2F 1-0352-170

# STAINLESS STEEL BRACKETS



2F5 SERIES



2F1-2PC SERIES



2F5-2PC SERIES

## STAINLESS STEEL BRACKET 2F5 SERIES

Maxillary	Torque	Ang.	inch	IN / OUTmm	.018 Right	.018 Left	.022 Right	.022 Left	Mandibular	Torque	Ang.	inch	IN / OUTmm	.018 Right	.018 Left	.022 Right	.022 Left
<b>Central</b>	17°	4°	0.035	0.899	2F5-0161-070	2F5-0151-070	2F5-0162-070	2F5-0152-070	<b>Low Anterior</b>	-6°	0°	0	0	N/A	N/A	2F1-0642-070	2F1-0642-070
<b>Lateral</b>	10°	8°	0.047	0.047	2F5-0181-070	2F5-0171-070	2F5-0182-070	2F5-0172-070	<b>Cuspid Hook</b>	-6°	3°	0	0	N/A	N/A	2F5-0302-170	2F5-0292-170
<b>Cuspid Hook</b>	-7°	0°	0	0	N/A	N/A	2F5-0222-170	2F1-0212-170	<b>Univ. 1ST Bicuspid</b>	-12°	2°	0	0	N/A	N/A	2F5-0322-070	2F5-0312-070
<b>Univ. 1ST Bicuspid Hook</b>	-7°	0°	0	0	N/A	N/A	2F1-0242-070	2F1-0232-070	<b>Univ. 1ST Bicuspid Hook</b>	-12°	2°	0	0	N/A	N/A	2F5-0322-170	2F5-0312-170
<b>Univ. 1ST Bicuspid Hook</b>	-7°	0°	0	0	N/A	N/A	2F1-0242-170	2F1-0232-170	<b>Univ. 2ND Bicuspid</b>	-17°	2°	0	0	N/A	N/A	2F5-0362-070	2F5-0352-070
<b>Univ. 2ND Bicuspid</b>	-7°	0°	0	0	N/A	N/A	2F1-0262-070	2F1-0252-070	<b>Univ. 2ND Bicuspid Hool</b>	-17°	2°	0	0	N/A	N/A	2F5-0362-170	2F5-0352-170
<b>Univ. 2ND Bicuspid Hook</b>	-7°	0°	0	0	N/A	N/A	2F1-0262-170	2F1-0252-170									

## STAINLESS STEEL BRACKET 2F1-2PC SERIES

Maxillary	Torque	Ang.	inch	IN / OUTmm	.018 Right	.018 Left	.022 Right	.022 Left	Mandibular	Torque	Ang.	inch	IN / OUTmm	.018 Right	.018 Left	.022 Right	.022 Left
<b>Central</b>	12°	5°	0.030	0.762	2F1-0161-080	2F1-0151-080	2F1-0162-080	2F1-0152-080	<b>Low Anterior</b>	0°	0°	0.06	1.524	2F1-0641-080	2F1-0641-080	2F1-0642-080	2F1-0642-080
<b>Lateral</b>	8°	9°	0.050	1.27	2F1-0181-080	2F1-0171-080	2F1-0182-080	2F1-0172-080	<b>Cuspid Hook</b>	-11°	7°	0.04	1.016	2F1-0281-180	2F1-0271-180	2F1-0282-180	2F1-0272-180
<b>Cuspid Hook</b>	-2°	11°	0.030	0.762	2F1-0201-180	2F1-0191-180	2F1-0202-180	2F1-0192-180	<b>Univ. 1ST Bicuspid</b>	-17°	0°	0.04	1.016	2F1-0321-080	2F1-0311-080	2F1-0322-080	2F1-0312-080
<b>Univ. 1ST Bicuspid</b>	-7°	0°	0.060	1.524	2F1-0241-080	2F1-0231-080	2F1-0242-080	2F1-0232-080	<b>Univ. 1ST Bicuspid Hook</b>	-17°	0°	0.04	1.016	2F1-0321-180	2F1-0311-180	2F1-0322-180	2F1-0312-180
<b>Univ. 1ST Bicuspid Hook</b>	-7°	0°	0.060	1.524	2F1-0241-180	2F1-0231-180	2F1-0242-180	2F1-0232-180	<b>Univ. 2ND Bicuspid</b>	-22°	0°	0.04	1.016	2F1-0361-080	2F1-0351-080	2F1-0362-08	2F1-0352-080
<b>Univ. 2ND Bicuspid</b>	-7°	0°	0.060	1.524	2F1-0261-080	2F1-0251-080	2F1-0262-080	2F1-0252-080	<b>Univ. 2ND Bicuspid Hook</b>	-22°	0°	0.04	1.016	2F1-0361-180	2F1-0351-180	2F1-0362-180	2F1-0352-180
<b>Univ. 2ND Bicuspid Hook</b>	-7°	0°	0.060	1.524	2F1-0261-180	2F1-0251-180	2F1-0262-180	2F1-0252-180									

## STAINLESS STEEL BRACKET 2F5-2PC SERIES

Maxillary	Torque	Ang.	inch	IN / OUTmm	.018 Right	.018 Left	.022 Right	.022 Left	Mandibular	Torque	Ang.	inch	IN / OUTmm	.018 Right	.018 Left	.022 Right	.022 Left
<b>Central</b>	17°	4°	0.035	0.899	2F5-0161-080	2F5-0151-080	2F5-0162-080	2F5-0152-080	<b>Low Anterior</b>	-6°	0°	0	0	N/A	N/A	2F1-0642-080	2F1-0642-080
<b>Lateral</b>	10°	8°	0.047	1.1938	2F5-0181-080	2F5-0171-080	2F5-0182-080	2F5-0172-080	<b>Cuspid Hook</b>	-6°	3°	0	0	N/A	N/A	2F5-0302-180	2F5-0292-180
<b>Cuspid Hook</b>	-7°	8°	0	0	N/A	N/A	2F5-0222-180	2F1-0212-180	<b>Univ. 1ST Bicuspid</b>	-12°	2°	0	0	N/A	N/A	2F5-0322-080	2F5-0312-080
<b>Univ. 1ST Bicuspid</b>	-7°	0°	0	0	N/A	N/A	2F1-0242-080	2F1-0232-080	<b>Univ. 1ST Bicuspid Hook</b>	-12°	2°	0	0	N/A	N/A	2F5-0322-180	2F5-0312-180
<b>Univ. 1ST Bicuspid Hook</b>	-7°	0°	0	0	N/A	N/A	2F1-0242-180	2F1-0232-180	<b>Univ. 2ND Bicuspid</b>	-17°	2°	0	0	N/A	N/A	2F5-0362-08	2F5-0352-080
<b>Univ. 2ND Bicuspid</b>	-7°	0°	0	0	N/A	N/A	2F1-0262-080	2F1-0252-080	<b>Univ. 2ND Bicuspid Hook</b>	-17°	2°	0	0	N/A	N/A	2F5-0362-180	2F5-0352-180
<b>Univ. 2ND Bicuspid Hook</b>	-7°	0°	0	0	N/A	N/A	2F1-0262-180	2F1-0252-180									

# OPAQUE COMPOSITE BRACKET



**321 ROTH SERIES**

**OPAQUE COMPOSITE BRACKET 321 ROTH SERIES**

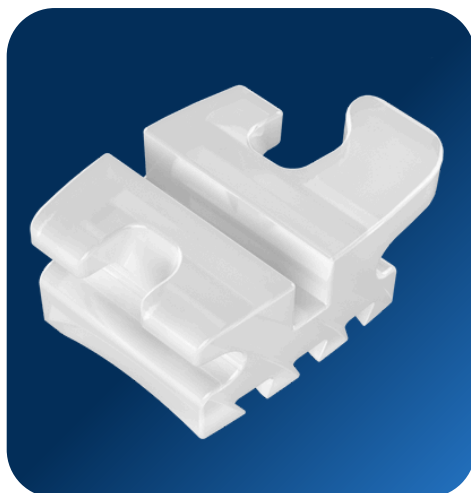
Maxillary	Torque	Ang.	inch	IN / OUTmm	.018 Right	.018 Left	.022 Right	.022 Left
<b>Central</b>	12°	5°	0.041	1.0414	321-0161-000	321-0151-000	321-0162-000	321-0152-000
<b>Lateral</b>	8°	9°	0.041	1.0414	321-0181-000	321-0171-000	321-0182-000	321-0172-000
<b>Cuspid</b>	0°	11°	0.06	1.524	321-0201-000	321-0191-000	321-0202-000	321-0192-000
<b>Cuspid Hook</b>	0°	11°	0.06	1.524	321-0201-100	321-0201-100	321-0202-100	321-0192-100
<b>Univ. Bicuspid</b>	-7°	0°	0.041	1.0414	321-1241-000	321-1241-000	321-1242-000	321-1242-000
<b>Univ. Bicuspid Hook</b>	-7°	0°	0.041	1.0414	321-1241-100	321-1241-100	321-1242-100	321-1242-100
Mandibular	Torque	Ang.	inch	IN / OUTmm	.018 Right	.018 Left	.022 Right	.022 Left
<b>Low Anterior</b>	0°	0°	0.06	1.524	321-0641-000	321-0641-000	321-0642-000	321-0642-000
<b>Cuspid</b>	-11°	5°	0.04	1.0414	321-0281-000	321-0271-000	321-0282-000	321-0272-000
<b>Cuspid Hook</b>	-11°	5°	0.04	1.0414	321-0281-000	321-0271-100	321-0282-100	321-0272-100
<b>Univ. 1ST Bicuspid</b>	-17°	0°	0.04	1.0414	321-0311-000	321-0351-000	321-0312-000	321-0352-000
<b>Univ. 1ST Bicuspid Hook</b>	-17°	0°	0.04	1.0414	321-0311-100	321-0311-100	321-0312-100	321-0352-100
<b>Univ. 2ND Bicuspid</b>	-22°	0°	0.04	1.0414	321-0351-000	321-0351-000	321-0352-000	321-0352-000
<b>Univ. 2ND Bicuspid Hook</b>	-22°	0°	0.04	1.0414	321-0311-100	321-0351-100	321-0312-100	321-0352-100



**331 SERIES**

**OPAQUE COMPOSITE BRACKET 331 SERIES**

Maxillary	Torque	Ang.	inch	IN / OUTmm	.018 Right	.018 Left	.022 Right	.022 Left
<b>Central</b>	12°	5°	0.041	1.0414	331-0161-000	331-0151-000	331-0162-000	331-0152-000
<b>Lateral</b>	8°	9°	0.041	1.0414	331-0181-000	331-0171-000	331-0182-000	331-017 2-000
<b>Cuspid</b>	0°	11°	0.06	1.524	331-0201-000	331-0191-000	331-0202-000	331-0192-000
<b>Cuspid Hook</b>	0°	11°	0.06	1.524	331-0201-100	331-0191-100	331-0202-100	331-0192-100
<b>Univ. Bicuspid</b>	-7°	0°	0.041	1.0414	331-1241-000	331-1241-000	331-1242-000	331-1242-000
<b>Univ. Bicuspid Hook</b>	-7°	0°	0.041	1.0414	331-1241-100	331-1241-100	331-1242-100	331-1242-100
Mandibular	Torque	Ang.	inch	IN / OUTmm	.018 Right	.018 Left	.022 Right	.022 Left
<b>Low Anterior</b>	0°	0°	0.06	1.524	331-0641-000	331-0641-000	331-0642-000	331-0642-000
<b>Cuspid</b>	-11°	5°	0.04	1.0414	331-0281-000	331-0271-000	331-0282-000	331-0272-000
<b>Cuspid Hook</b>	-11°	5°	0.04	1.0414	331-0281-100	331-0271-100	331-0282-100	331-0272-100
<b>Univ. 1ST Bicuspid</b>	-17°	0°	0.04	1.0414	331-0311-000	331-0351-000	331-0312-000	331-0352-000
<b>Univ. 1ST Bicuspid Hook</b>	-17°	0°	0.04	1.0414	331-0311-100	331-0311-100	331-0312-100	331-0352-100
<b>Univ. 2ND Bicuspid</b>	-22°	0°	0.04	1.0414	331-0351-000	331-0351-000	331-0352-000	331-0352-000
<b>Univ. 2ND Bicuspid Hook</b>	-22°	0°	0.04	1.0414	331-0311-100	331-0351-100	331-0312-100	331-0352-100



**335 SERIES**

**OPAQUE COMPOSITE BRACKET 335 SERIES**

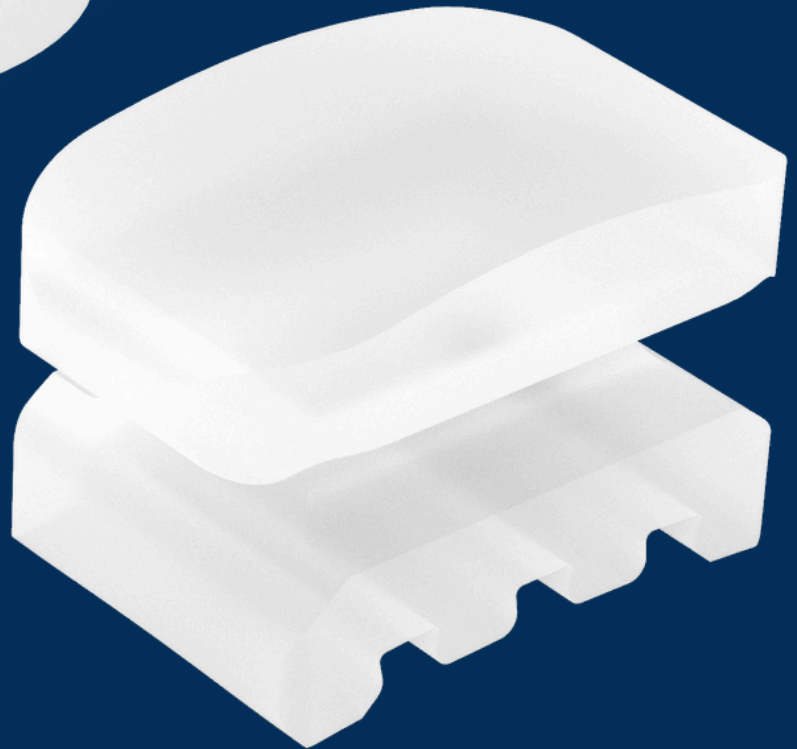
Maxillary	Torque	Ang.	inch	IN / OUTmm	.018 Right	.018 Left	.022 Right	.022 Left
<b>Central</b>	17°	4°	0.041	1.0414	335-0161-000	335-0151-000	335-0161-000	335-0152-000
<b>Lateral</b>	10°	8°	0.041	1.0414	335-0181-000	335-0171-000	335-017 2-000	335-0182-000
<b>Cuspid</b>	0°	8°	0.600	1.524	335-0201-100	335-0201-000	335-0192-000	335-0202-000
<b>Cuspid Hook</b>	0°	8°	0.600	1.524	335-0191-100	335-0191-100	335-0192-100	335-0202-100
<b>Cuspid Alt.Torque</b>	-7°	8°	0.038	0.97	335-0221-000	335-0211-000	335-0222-000	335-0221-000
<b>Cuspid Hook Alt.Torque</b>	-7°	8°	0.038	0.97	335-0221-100	335-0211-100	335-0222-100	335-0221-100
<b>Univ. Bicuspid</b>	-7°	0°	0.041	1.0414	335-1241-000	335-1241-000	335-1242-000	335-1242-000
<b>Univ. Bicuspid Hook</b>	-7°	0°	0.041	1.0414	335-1241-100	335-1241-100	335-1242-100	335-1242-100
Mandibular	Torque	Ang.	inch	IN / OUTmm	.018 Right	.018 Left	.022 Right	.022 Left
<b>Low Anterior</b>	-6°	0°	0.600	1.522	335-0641-000	335-0642-000	335-0642-000	335-0642-000
<b>Cuspid</b>	0°	3°	0.038	0.97	335-0271-000	335-0271-000	335-0282-000	335-0272-000
<b>Cuspid Hook</b>	0°	3°	0.038	0.97	335-0271-100	335-0271-100	335-0282-100	335-027 2-100
<b>Cuspid Alt.Torque</b>	0°	3°	0.038	0.97	335-0291-000	335-0291-000	335-0302-000	335-0292-000
<b>Cuspid Hook Alt.Torque</b>	-6°	3°	0.038	0.97	335-0291-100	335-0291-100	335-0302-100	335-0302-100
<b>Univ. 1ST Bicuspid</b>	-17°	0°	0.04	1.09	335-0311-000	335-0311-000	335-0322-000	335-0312-000
<b>Univ. 2ND Bicuspid</b>	-17°	0°	0.04	1.09	335-0351-000	335-0351-000	335-0362-000	335-0352-000
<b>Univ. 1ST Bicuspid Hook</b>	-17°	0°	0.04	1.09	335-0311-100	335-0311-100	335-0322-100	335-0312-100
<b>Univ. 2ND Bicuspid Hook</b>	-22°	0°	0.04	1.09	335-0351-100	335-0351-100	335-0362-100	335-0352-100

# OPAQUE COMPOSITE BUTTONS

---



**330 ROUND**



**330 OBLONG**

# CLEAR COMPOSITE BRACKET



**3X1 SERIES**

CLEAR COMPOSITE BRACKET 3X1 SERIES								
Maxillary	Torque	Ang.	inch	IN / OUTmm	.018 Right	.018 Left	.022 Right	.022 Left
<b>Central</b>	12°	5°	0.041	1.0414	3X1-0161-055	3X1-0151-055	3X1-0162-055	3X1-0152-055
<b>Lateral</b>	8°	9°	0.041	1.0414	3X1-0181-055	3X1-0171-055	3X1-0171-055	3X1-0172-055
<b>Cuspid</b>	0°	11°	0.06	1.524	3X1-0201-055	3X1-0191-055	3X1-0191-055	3X1-0192-055
<b>Cuspid Hook</b>	0°	11°	0.06	1.524	3X1-0201-155	3X1-0191-155	3X1-0191-155	3X1-017 2-155
<b>Univ. Bicuspid</b>	-7°	0°	0.041	1.0414	3X1-1241-055	3X1-1241-055	3X1-1241-055	3X1-1242-055
<b>Univ. Bicuspid Hook</b>	-7°	0°	0.041	1.0414	3X1-1241-155	3X1-1241-155	3X1-1241-155	3X1-1242-155
Mandibular	Torque	Ang.	inch	IN / OUTmm	.018 Right	.018 Left	.022 Right	.022 Left
<b>Low Anterior</b>	0°	0°	0.06	1.524	3X1-0641-055	3X1-0641-055	3X1-0621-055	3X1-0642-055
<b>Cuspid</b>	-11°	5°	0.04	1.0414	3X1-0281-055	3X1-0271-055	3X1-02821-055	3X1-0272-055
<b>Cuspid Hook</b>	-11°	5°	0.04	1.0414	3X1-0281-155	3X1-0271-155	3X1-02821-155	3X1-0272-155
<b>Univ. 1ST Bicuspid</b>	-17°	0°	0.04	1.0414	3X1-0311-055	3X1-0351-055	3X1-0312-055	3X1-0352-055
<b>Univ. 1ST Bicuspid Hook</b>	-17°	0°	0.04	1.0414	3X1-0311-155	3X1-0311-155	3X1-0312-155	3X1-0352-155
<b>Univ. 2ND Bicuspid</b>	-22°	0°	0.04	1.0414	3X1-0351-055	3X1-0351-055	3X1-0352-055	3X1-0352-055
<b>Univ. 2ND Bicuspid Hook</b>	-22°	0°	0.04	1.0414	3X1-0351-15	3X1-0351-155	3X1-0352-155	3X1-0352-155



**3X5 SERIES**

CLEAR COMPOSITE BRACKET 3X5 SERIES								
Maxillary	Torque	Ang.	inch	IN / OUTmm	.018 Right	.018 Left	.022 Right	.022 Left
<b>Central</b>	17°	4°	0.041	1.0414	3X5-0161-055	335-0151-000	3X5-0162-055	335-0152-000
<b>Lateral</b>	10°	8°	0.041	1.0414	3X5-0181-055	335-0171-000	3X5-0182-055	3X5-0172-055
<b>Cuspid</b>	0°	8°	0.600	1.524	3X5-0201-055	3X5-0191-000	3X5-0202-055	3X5-0192-055
<b>Cuspid Hook</b>	0°	8°	0.600	1.524	3X5-0201-155	3X5-0191-155	3X5-0202-155	3X5-0192-155
<b>Cuspid Alt.Torque</b>	-7°	8°	0.038	0.97	3X5-0221-055	3X5-0191-055	3X5-0222-055	3X5-0221-055
<b>Cuspid Hook Alt.Torque</b>	-7°	8°	0.038	0.97	3X5-0221-155	3X5-0211-155	3X5-0222-155	3X5-0221-155
<b>Univ. Bicuspid</b>	-7°	0°	0.041	1.0414	3X5-1241-055	3X1-1241-055	3X1-1242-055	3X1-1242-055
<b>Univ. Bicuspid Hook</b>	-7°	0°	0.041	1.0414	3X5-1241-155	3X1-1241-155	3X1-1242-155	3X1-1242-155
Mandibular	Torque	Ang.	inch	IN / OUTmm	.018 Right	.018 Left	.022 Right	.022 Left
<b>Low Anterior</b>	-6°	0°	0.600	1.522	3X5-06 41-055	3X5-0641-055	3X5-0642-055	3X5-0642-055
<b>Cuspid</b>	0°	3°	0.038	0.97	3X5-0281-055	3X5-0271-055	3X5-0282-055	3X5-027 2-055
<b>Cuspid Hook</b>	0°	3°	0.038	0.97	3X5-0281-155	3X5-0271-155	3X5-0282-155	3X5-027 2-155
<b>Cuspid Alt.Torque</b>	0°	3°	0.038	0.97	3X5-0301-055	3X5-0291-055	3X5-0302-055	3X5-0292-055
<b>Cuspid Hook Alt.Torque</b>	-6°	3°	0.038	0.97	3X5-0301-155	3X5-0291-155	3X5-0302-155	3X5-0292-155
<b>Univ. 1ST Bicuspid</b>	-17°	0°	0.04	1.09	3X1-0311-055	3X1-0351-055	3X1-0351-055	3X1-0352-055
<b>Univ. 2ND Bicuspid</b>	-17°	0°	0.04	1.09	3X5-0311-055	3X5-0351-055	3X5-0321-055	3X5-0352-055
<b>Univ. 1ST Bicuspid Hook</b>	-17°	0°	0.04	1.09	3X1-0311-155	3X1-0351-155	3X1-0312-155	3X1-0352-155
<b>Univ. 2ND Bicuspid Hook</b>	-22°	0°	0.04	1.09	3X5-0311-155	3X5-0351-155	3X5-0312-155	3X5-0352-155



**4S1 SERIES**

CLEAR COMPOSITE BRACKET 4S1 SERIES								
Maxillary	Torque	Ang.	inch	IN / OUTmm	.018 Right	.018 Left	.022 Right	.022 Left
<b>Central</b>	12°	5°	0.041	1.0414	4S1-0161-055	3X1-0151-055	4S1-0162-055	4S1-0152-055
<b>Lateral</b>	8°	9°	0.041	1.0414	4S1-0181-055	3X1-0171-055	4S1-0182-055	4S1-0172-055
<b>Cuspid Hook</b>	0°	11°	0.06	1.524	4S1-0201-155	4S1-0191-155	4S1-0202-155	4S1-0192-155
<b>Univ. Bicuspid</b>	-7°	0°	0.041	1.0414	4S1-1241-055	4S1-1241-055	4S1-1242-055	4S1-1242-055
<b>Univ. Bicuspid Hook</b>	-7°	0°	0.041	1.0414	4S1-0261-155	4S1-0251-155	4S1-0262-155	4S1-0252-155
Mandibular	Torque	Ang.	inch	IN / OUTmm	.018 Right	.018 Left	.022 Right	.022 Left
<b>Low Anterior</b>	0°	0°	0.06	1.524	4S1-0641-055	4S1-0641-055	4S1-0642-055	4S1-0642-055
<b>Cuspid Hook</b>	-11°	5°	0.04	1.0414	4S1-0281-155	4S1-0271-155	4S1-0282-155	4S1-0272-155
<b>Univ. 1ST Bicuspid</b>	-17°	0°	0.04	1.0414	4S1-0311-055	4S1-0311-055	4S1-0322-055	4S1-0312-055
<b>Univ. 1ST Bicuspid Hook</b>	-17°	0°	0.04	1.0414	4S1-0321-155	4S1-0311-155	4S1-0322-155	4S1-0312-155
<b>Univ. 2ND Bicuspid</b>	-22°	0°	0.04	1.0414	4S1-0351-055	4S1-0351-055	4S1-0362-055	4S1-0352-055
<b>Univ. 2ND Bicuspid Hook</b>	-22°	0°	0.04	1.0414	4S1-0361-155	4S1-0351-155	4S1-0362-155	4S1-0352-155

# CLEAR COMPOSITE BRACKET



**CLEAR COMPOSITE BRACKET 755 SERIES**

Maxillary	Torque	Ang.	inch	IN / OUTmm	.018 Right	.018 Left	.022 Right	.022 Left
<b>Central</b>	17°	4°	0.041	1.0414	N/A	N/A	455-0162-055	455-0152-055
<b>Lateral</b>	10°	8°	0.041	1.0414	N/A	N/A	455-0182-055	455-0172-055
<b>Cuspid Hook</b>	0°	8°	0.06	1.524	N/A	N/A	455-0222-155	455-0212-155
<b>Univ. Bicuspid</b>	-7°	0°	0.041	1.0414	N/A	N/A	451-1242-055	451-1242-055
<b>Univ. Bicuspid Hook</b>	-7°	0°	0.041	1.0414	N/A	N/A	451-0262-155	451-0252-155

Mandibular	Torque	Ang.	inch	IN / OUTmm	.018 Right	.018 Left	.022 Right	.022 Left
<b>Low Anterior</b>	-6°	0°	0.06	1.524	N/A	N/A	455-0642-055	455-0642-055
<b>Cuspid Hook</b>	0°	3°	0.038	0.97	N/A	N/A	455-0302-155	455-0292-155
<b>Univ. 1ST Bicuspid</b>	-17°	0°	0.04	1.09	N/A	N/A	451-0312-055	451-0312-055
<b>Univ. 1ST Bicuspid Hook</b>	-17°	0°	0.04	1.09	N/A	N/A	455-0312-055	455-0312-055
<b>Univ. 2ND Bicuspid</b>	-12°	0°	0.04	1.09	N/A	N/A	455-0322-155	455-0312-155
<b>Univ. 2ND Bicuspid Hook</b>	-12°	0°	0.04	1.09	N/A	N/A	455-0322-155	455-0312-155

# OPAQUE CNC BRACKET



**OPAQUE CNC BRACKET 721 SERIES**

Maxillary	Torque	Ang.	inch	IN / OUTmm	.018 Right	.018 Left	.022 Right	.022 Left
<b>Central</b>	12°	5°	0.041	1.0414	721-0161-000	721-0151-000	721-0162-000	721-0152-000
<b>Lateral</b>	8°	9°	0.041	1.0414	721-0181-000	721-0171-000	721-0182-000	721-0172-000
<b>Cuspid</b>	0°	11°	0.06	1.524	721-0201-000	721-0191-000	721-0202-000	721-0192-000
<b>Cuspid Hook</b>	0°	11°	0.06	1.524	721-0201-100	721-0191-100	721-0202-100	721-0192-100
<b>Univ. Bicuspid</b>	-7°	0°	0.041	1.0414	721-1241-000	721-1241-000	721-1242-000	721-1242-000
<b>Univ. Bicuspid Hook</b>	-7°	0°	0.041	1.0414	7 21-1241-100	721-1241-100	7 21-1242-100	7 21-1242-100

Mandibular	Torque	Ang.	inch	IN / OUTmm	.018 Right	.018 Left	.022 Right	.022 Left
<b>Low Anterior</b>	0°	0°	0.06	1.524	721-0641-000	721-0641-000	721-0642-000	721-0642-000
<b>Cuspid</b>	-11°	5°	0.04	1.0414	721-0281-000	721-0271-000	721-0282-000	721-0272-000
<b>Cuspid Hook</b>	-11°	5°	0.04	1.0414	721-0281-100	721-0271-100	721-0282-100	721-0272-100
<b>Univ. 1ST Bicuspid</b>	-17°	0°	0.04	1.0414	721-0311-000	721-0311-000	721-0312-000	721-0312-000
<b>Univ. 1ST Bicuspid Hook</b>	-17°	0°	0.04	1.0414	721-0311-100	721-0311-100	721-0312-100	771-0312-100
<b>Univ. 2ND Bicuspid</b>	-22°	0°	0.04	1.0414	721-0351-000	721-0351-000	721-0352-000	721-0352-000
<b>Univ. 2ND Bicuspid Hook</b>	-22°	0°	0.04	1.0414	7 21-0351-100	7 21-0351-100	7 21-0352-100	721-0352-100

# CLEAR CERAMIC SL BRACKET

## CLEAR CERAMIC SL BRACKET 8F1 SERIES

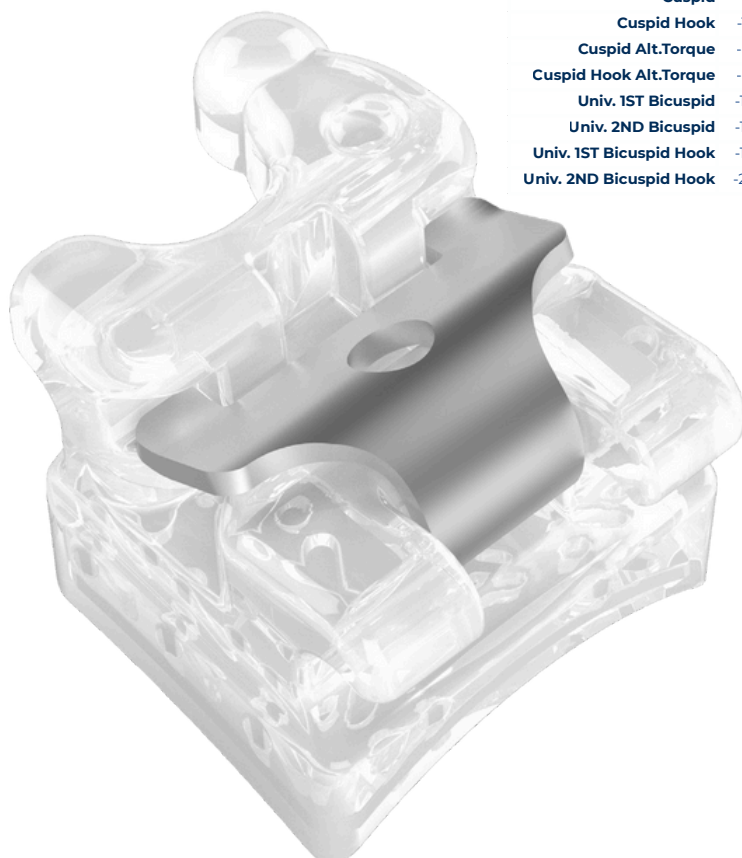
Maxillary	Torque	Ang.	inch	IN / OUTmm	.018 Right	.018 Left	.022 Right	.022 Left
<b>Central</b>	12°	5°	0.041	1.0414	8F1-0161-085	8F1-0151-085	8F1-0162-085	8F1-0152-085
<b>Lateral</b>	8°	9°	0.041	1.0414	8F1-0181-085	8F1-0171-085	8F1-0182-085	8F1-0172-085
<b>Cuspid Hook</b>	0°	11°	0.06	1.524	8F1-0201-185	8F1-0191-185	8F1-0202-185	8F1-0192-185
<b>Univ. Bicuspid</b>	-7°	0°	0.041	1.0414	8F1-1241-085	8F1-1241-085	8F1-1242-085	8F1-1242-085
<b>Univ. Bicuspid Hook</b>	-7°	0°	0.041	1.0414	8F1-0261-185	8F1-0251-185	8F1-0262-185	8F1-0252-185
Mandibular	Torque	Ang.	inch	IN / OUTmm	.018 Right	.018 Left	.022 Right	.022 Left
<b>Low Anterior</b>	0°	0°	0.06	1.524	8F1-0641-085	8F1-0642-085	8F1-0642-085	8F1-0642-085
<b>Cuspid Hook</b>	-11°	5°	0.04	1.0414	8F1-0281-185	8F1-0271-185	8F1-0282-185	8F1-0272-185
<b>Univ. 1ST Bicuspid Hook</b>	-17°	0°	0.04	1.0414	8F1-0321-185	8F1-0311-185	8F1-0322-185	8F1-0312-185
<b>Univ. 2ND Bicuspid Hook</b>	-22°	0°	0.04	1.0414	8F1-0361-185	8F1-0351-185	8F1-0362-185	8F1-0352-185

## 8F1 SERIES

## 8F5 SERIES

## CLEAR COMPOSITE BRACKET 3X5 SERIES

Maxillary	Torque	Ang.	inch	IN / OUTmm	.018 Right	.018 Left	.022 Right	.022 Left
<b>Central</b>	12°	5°	0.041	1.0414	8F5-0161-085	8F5-0151-085	8F5-0162-085	8F5-0152-085
<b>Cuspid</b>	0°	11°	0.600	1.524	8F5-0201-085	8F5-0191-085	8F5-0202-085	8F5-0192-085
<b>Cuspid Hook</b>	0°	11°	0.600	1.524	8F5-0201-185	8F5-0191-185	8F5-0202-185	8F5-0192-185
<b>Cuspid Alt.Torque</b>	-7°	+8°	0.038	0.97	8F5-0221-085	8F5-0211-085	8F5-0222-085	8F5-0212-085
<b>Cuspid Hook Alt.Torque</b>	-7°	+8°	0.038	0.97	8F5-0221-185	8F5-0211-185	8F5-0222-185	8F5-0212-185
<b>Univ. Bicuspid</b>	-7°	0°	0.041	1.0414	8F1-1241-085	8F1-1241-085	8F1-1242-085	8F1-1242-085
<b>Univ. Bicuspid Hook</b>	-7°	0°	0.041	1.0414	8F1-0261-185	8F1-0251-185	8F1-0262-185	8F1-0252-185
Mandibular	Torque	Ang.	inch	IN / OUTmm	.018 Right	.018 Left	.022 Right	.022 Left
<b>Low Anterior</b>	-6°	0°	0.060	1.52	8F5-0641-085	8F5-0641-085	8F5-0642-085	8F5-0642-085
<b>Cuspid</b>	-11°	5°	0.038	0.97	8F5-0281-085	8F5-0271-085	8F5-0282-085	8F5-0272-085
<b>Cuspid Hook</b>	-11°	5°	0.038	0.97	8F5-0281-185	8F5-0271-185	8F5-0282-185	8F5-0272-185
<b>Cuspid Alt.Torque</b>	-6°	3°	0.038	0.97	8F5-0301-085	8F5-0291-085	8F5-0302-085	8F5-0292-085
<b>Cuspid Hook Alt.Torque</b>	-6°	3°	0.038	0.97	8F5-0301-185	8F5-0291-185	8F5-0302-185	8F5-0292-185
<b>Univ. 1ST Bicuspid</b>	-17°	0°	0.04	1.09	8F1-0311-085	8F1-0311-085	8F1-0312-085	8F1-0312-085
<b>Univ. 2ND Bicuspid</b>	-17°	0°	0.04	1.09	8F5-0311-085	8F5-0311-085	8F5-0312-085	8F5-0312-085
<b>Univ. 1ST Bicuspid Hook</b>	-17°	0°	0.04	1.09	8F1-0311-185	8F1-0311-185	8F1-0312-185	8F1-0312-185
<b>Univ. 2ND Bicuspid Hook</b>	-22°	0°	0.04	1.09	8F5-0311-185	8F5-0311-185	8F5-0312-185	8F5-0312-185



# CLEAR CERAMIC PSP BRACKET



CLEAR CERAMIC PSP BRACKET 8S1 SERIES

Maxillary	Torque	Ang.	inch	IN / OUTmm	.018 Right	.018 Left	.022 Right	.022 Left
<b>Central</b>	12°	5°	0.041	1.0414	8S1-0161-055	8S1-0151-055	8S1-0162-055	8S1-0152-055
<b>Lateral</b>	8°	9°	0.041	1.0414	8S1-0181-055	8S1-0171-055	8S1-0182-055	8S1-0172-055
<b>Cuspid Hook</b>	0°	11°	0.060	1.524	8S1-0201-155	8S1-0191-155	8S1-0202-155	8S1-0192-155
<b>Univ. Bicuspid</b>	-7°	0°	0.041	1.0414	8S1-1241-055	8S1-1241-055	8S1-1242-055	8S1-1242-055
<b>Univ. Bicuspid Hook</b>	-7°	0°	0.041	1.0414	8S1-0261-155	8S1-0251-155	8S1-0262-155	8S1-0252-155
Mandibular	Torque	Ang.	inch	IN / OUTmm	.018 Right	.018 Left	.022 Right	.022 Left
<b>Low Anterior</b>	0°	0°	0.06	1.524	8S1-0641-055	8S1-0641-055	8S1-06 42-055	8S1-06 42-055
<b>Cuspid Hook</b>	-11°	5°	0.04	1.0414	8S1-0281-155	8S1-0271-155	8S1-0282-155	8S1-0272-155
<b>Univ. 1ST Bicuspid</b>	-17°	0°	0.04	1.0414	8S1-0311-055	8S1-0311-055	8S1-0312-055	8S1-0312-055
<b>Univ. 1ST Bicuspid Hook</b>	-17°	0°	0.04	1.0414	8S1-0321-155	8S1-0311-155	8S1-0322-155	8S1-0312-155
<b>Univ. 2ND Bicuspid</b>	-22°	0°	0.04	1.0414	8S1-0361-055	8S1-0351-055	8S1-0362-055	8S1-0352-055
<b>Univ. 2ND Bicuspid Hook</b>	-22°	0°	0.04	1.0414	8S1-0361-155	8S1-0351-155	8S1-0362-155	8S1-0352-155

## 8S1 SERIES

## 8S5 SERIES

CLEAR CERAMIC PSP BRACKET 8S5 SERIES

Maxillary	Torque	Ang.	inch	IN / OUTmm	.018 Right	.018 Left	.022 Right	.022 Left
<b>Central</b>	12°	5°	0.041	1.0414	8S5-0161-055	8S5-0151-055	8S5-0162-055	8S5-0152-055
<b>Lateral</b>	8°	9°	0.041	1.0414	8S5-0181-055	8S5-0171-055	8S5-0182-055	8S5-0172-055
<b>Cuspid Hook</b>	0°	11°	0.06	1.524	8S5-0201-155	8S5-0191-155	8S5-0202-155	8S5-0192-100
<b>Cuspid Hook Alt. Torque</b>	-7°	+8°	0.038	0.97	8S5-0221-155	8S5-0211-155	8S5-0222-155	8S5-0212-155
<b>Univ. Bicuspid</b>	-7°	0°	0.041	1.0414	8S1-1241-055	8S1-1241-055	8S1-1242-055	8S1-1242-055
<b>Univ. Bicuspid Hook</b>	-7°	0°	0.041	1.0414	8S1-0261-155	8S1-0251-155	8S1-0262-155	8S1-0252-155
Mandibular	Torque	Ang.	inch	IN / OUTmm	.018 Right	.018 Left	.022 Right	.022 Left
<b>Low Anterior</b>	0°	0°	0.06	1.524	8S5-0641-055	8S5-0641-055	8S5-0642-055	8S5-0642-055
<b>Cuspid Hook</b>	-11°	5°	0.04	1.0414	8S5-0281-155	8S5-0271-155	8S5-0282-155	8S5-0272-155
<b>Cuspid Hook Alt. Torque</b>	-17°	0°	0.04	1.0414	8S5-0301-155	8S5-0291-155	8S5-0302-155	8S5-0292-155
<b>1ST Bicuspid Hook</b>	-17°	0°	0.04	1.0414	8S1-0321-155	8S1-0311-155	8S1-0322-155	8S1-0312-155
<b>2ND Bicuspid Hook</b>	-22°	0°	0.04	1.0414	8S5-0321-155	8S5-0311-155	8S5-0322-155	8S5-0312-155



# CLEAR CERAMIC BRACKET

CLEAR CERAMIC BRACKET 9S1 SERIES

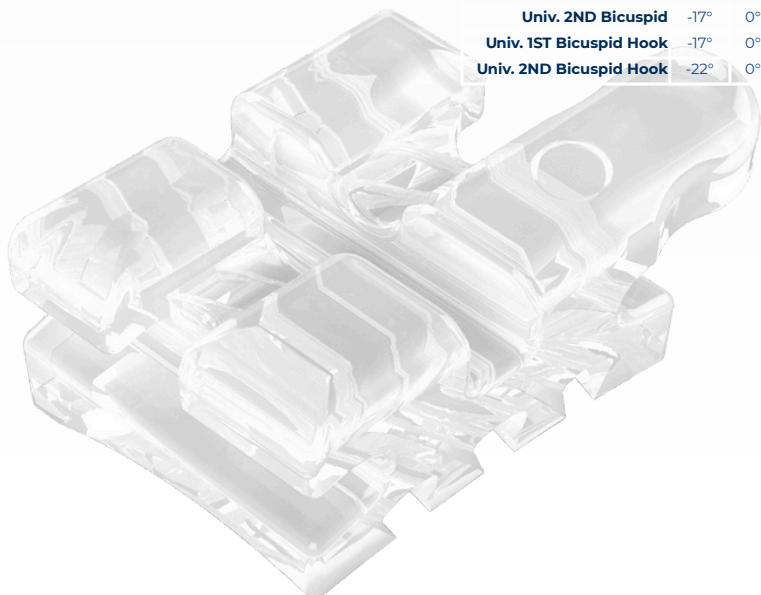
Maxillary	Torque	Ang.	inch	IN / OUTmm	.018 Right	.018 Left	.022 Right	.022 Left
<b>Central</b>	12°	5°	0.041	1.0414	9S1-0161-000	9S1-0151-000	9S1-0162-000	9S1-0152-000
<b>Lateral</b>	8°	9°	0.041	1.0414	9S1-0181-000	9S1-0171-000	9S1-0182-000	9S1-0172-000
<b>Cuspid</b>	0°	11°	0.06	1.524	9S1-0201-000	9S1-0191-000	9S1-0202-000	9S1-0192-000
<b>Cuspid Hook</b>	0°	11°	0.06	1.524	9S1-0201-100	9S1-0191-100	9S1-0202-100	9S1-0192-100
<b>Univ. Bicuspid</b>	-7°	0°	0.041	1.0414	9S1-1241-000	9S1-1241-000	9S1-1242-000	9S1-1242-000
<b>Univ. Bicuspid Hook</b>	-7°	0°	0.041	1.0414	9S1-0261-100	9S1-0251-100	9S1-0262-100	9S1-0252-155
Mandibular	Torque	Ang.	inch	IN / OUTmm	.018 Right	.018 Left	.022 Right	.022 Left
<b>Low Anterior</b>	0°	0°	0.06	1.524	9S1-0641-000	9S1-0641-000	9S1-0642-000	9S1-0642-000
<b>Cuspid</b>	-11°	5°	0.04	1.0414	9S1-0281-000	9S1-0271-000	9S1-0282-000	9S1-0272-000
<b>Cuspid Hook</b>	-11°	5°	0.04	1.0414	9S1-0281-100	9S1-0271-100	9S1-0282-100	9S1-0272-100
<b>Univ. 1ST Bicuspid</b>	-17°	0°	0.04	1.0414	9S1-0311-000	9S1-0311-000	9S1-0312-000	9S1-0312-000
<b>Univ. 1ST Bicuspid Hook</b>	-17°	0°	0.04	1.0414	9S1-0321-100	9S1-0311-100	9S1-0322-100	9S1-0312-100
<b>Univ. 2ND Bicuspid</b>	-22°	0°	0.04	1.0414	9S1-0361-000	9S1-0351-000	9S1-0362-000	9S1-0352-000
<b>Univ. 2ND Bicuspid Hook</b>	-22°	0°	0.04	1.0414	9S1-0361-100	9S1-0351-100	9S1-0362-100	9S1-0352-100

## 9S1 SERIES

## 9S5 SERIES

CLEAR CERAMIC BRACKET 9S5 SERIES

Maxillary	Torque	Ang.	inch	IN / OUTmm	.018 Right	.018 Left	.022 Right	.022 Left
<b>Central</b>	12°	5°	0.041	1.0414	9S5 -0161-000	9S5 -0151-000	9S5 -0162-000	9S5 -0152-000
<b>Lateral</b>	8°	9°	0.041	1.0414	9S5 -0181-000	9S5 -0171-000	9S5 -0182-000	9S5 -0172-000
<b>Cuspid</b>	0°	11°	0.060	1.524	9S5 -0201-000	9S5 -0191-000	9S5 -0202-000	9S5 -0192-000
<b>Cuspid Hook</b>	0°	11°	0.060	1.524	9S5 -0201-100	9S5 -0191-100	9S5 -0202-100	9S5 -0192-100
<b>Cuspid Alt.Torque</b>	-7°	+8°	0.038	0.97	9S5 -0221-000	9S5 -0211-000	9S5 -0222-000	9S5 -0212-000
<b>Cuspid Hook Alt.Torque</b>	-7°	+8°	0.038	0.97	9S5 -0221-100	9S5 -0211-100	9S5 -0222-100	9S5 -0212-100
<b>Univ. Bicuspid</b>	-7°	0°	0.041	1.0414	9S1-1241-000	9S1-1241-000	9S1-1242-000	9S1-1242-000
<b>Univ. Bicuspid Hook</b>	-7°	0°	0.041	1.0414	9S1-0261-100	9S1-0251-100	9S1-0262-100	9S1-0252-100
Mandibular	Torque	Ang.	inch	IN / OUTmm	.018 Right	.018 Left	.022 Right	.022 Left
<b>Low Anterior</b>	-6°	0°	0.060	1.52	9S5 -06 41-000	9S5 -06 41-000	9S5-0642-000	9S5-0642-000
<b>Cuspid</b>	-11°	5°	0.038	0.97	9S5 -0281-000	9S5 -0271-000	9S5-0282-000	9S5-0272-000
<b>Cuspid Hook</b>	-11°	5°	0.038	0.97	9S5 -0281-100	9S1-0271-100	9S5-0282-100	9S5-0272-100
<b>Cuspid Alt.Torque</b>	-6°	3°	0.038	0.97	9S5-0301-000	9S5 -0291-000	9S5-0302-000	9S5-0292-000
<b>Cuspid Hook Alt.Torque</b>	-6°	3°	0.038	0.97	9S5-0301-100	9S5 -0291-100	9S5-0302-100	9S5-0292-100
<b>Univ. 1ST Bicuspid</b>	-17°	0°	0.04	1.09	9S1-0311-000	9S1-0311-000	9S1-0312-000	9S1-0312-000
<b>Univ. 2ND Bicuspid</b>	-17°	0°	0.04	1.09	9S5-0311-000	9S5-0311-000	9S5-0312-000	9S5-0312-000
<b>Univ. 1ST Bicuspid Hook</b>	-17°	0°	0.04	1.09	9S1-0321-100	9S1-0311-100	9S1-0322-100	9S1-0312-100
<b>Univ. 2ND Bicuspid Hook</b>	-22°	0°	0.04	1.09	9S5-0321-100	9S5-0311-100	9S5-0322-100	9S5-0312-100



# CLEAR CERAMIC BRACKET



CLEAR CERAMIC BRACKET 9X1 SERIES

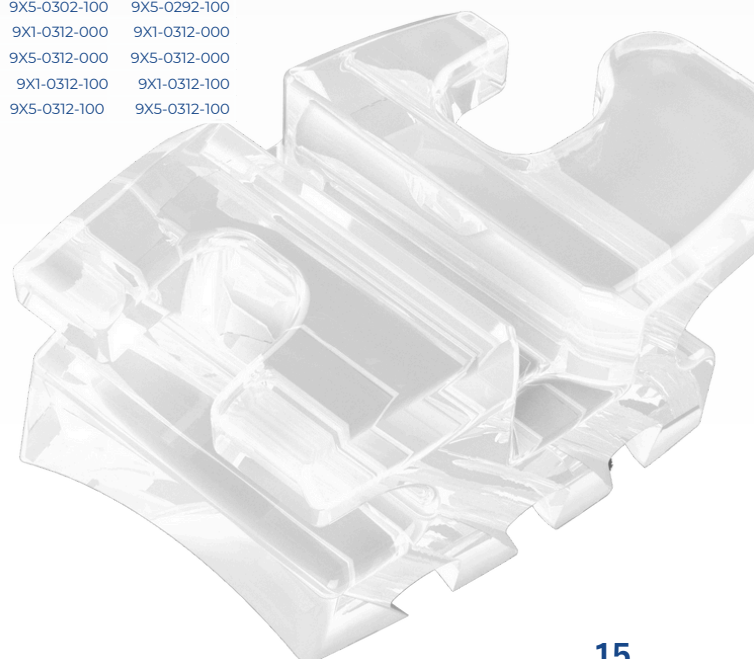
Maxillary	Torque	Ang.	inch	IN / OUTmm	.018 Right	.018 Left	.022 Right	.022 Left
<b>Central</b>	12°	5°	0.041	1.0414	9X1-0161-000	9X1-0151-000	9X1-0162-000	9X1-0152-000
<b>Lateral</b>	8°	9°	0.041	1.0414	9X1-0181-000	9X1-0171-000	9X1-0182-000	9X1-0172-000
<b>Cuspid</b>	0°	11°	0.06	1.524	9X1-0201-000	9X1-0191-000	9X1-0202-000	9X1-0192-000
<b>Cuspid Hook</b>	0°	11°	0.06	1.524	9X1-0201-100	9X1-0191-100	9X1-0202-100	9X1-0192-100
<b>Univ. Bicuspid</b>	-7°	0°	0.041	1.0414	9X1-1241-000	9X1-1241-000	9X1-1242-000	9X1-1242-000
<b>Univ. Bicuspid Hook</b>	-7°	0°	0.041	1.0414	9X1-1241-100	9X1-1241-100	9X1-1242-100	9X1-1242-100
Mandibular	Torque	Ang.	inch	IN / OUTmm	.018 Right	.018 Left	.022 Right	.022 Left
<b>Low Anterior</b>	0°	0°	0.06	1.524	9X1-0641-000	9X1-0641-000	9X1-0642-000	9X1-0642-000
<b>Cuspid</b>	-11°	5°	0.04	1.0414	9X1-0281-000	9X1-0271-000	9X1-0282-000	9X1-0272-000
<b>Cuspid Hook</b>	-11°	5°	0.04	1.0414	9X1-0281-100	9X1-0271-100	9X1-0282-100	9X1-0272-100
<b>Univ. 1ST Bicuspid</b>	-17°	0°	0.04	1.0414	9X1-0311-000	9X1-0311-000	9X1-0312-000	9X1-0312-000
<b>Univ. 1ST Bicuspid Hook</b>	-17°	0°	0.04	1.0414	9X1-0311-100	9X1-0311-100	9X1-0312-100	9X1-0312-100
<b>Univ. 2ND Bicuspid</b>	-22°	0°	0.04	1.0414	9X1-0351-000	9X1-0351-000	9X1-0352-000	9X1-0352-000
<b>Univ. 2ND Bicuspid Hook</b>	-22°	0°	0.04	1.0414	9X1-0351-100	9X1-0351-100	9X1-0352-100	9X1-0352-100

## 9X1 SERIES

CLEAR CERAMIC BRACKET 9X5 SERIES

Maxillary	Torque	Ang.	inch	IN / OUTmm	.018 Right	.018 Left	.022 Right	.022 Left
<b>Central</b>	12°	5°	0.041	1.0414	9X5-0161-000	9X5-0151-000	9X5-0162-000	9X5-0152-000
<b>Lateral</b>	8°	9°	0.041	1.0414	9X5-0181-000	9X5-0171-000	9X5-0182-000	9X5-0172-000
<b>Cuspid</b>	0°	11°	0.060	1.524	9X5-0201-000	9X5-0191-000	9X5-0202-000	9X5-0192-000
<b>Cuspid Hook</b>	0°	11°	0.060	1.524	9X5-0201-100	9X5-0191-100	9X5-0202-100	9X5-0192-100
<b>Cuspid Alt.Torque</b>	-7°	+8°	0.038	0.97	9X5-0221-000	9X5-0211-000	9X5-0222-000	9X5-0212-000
<b>Cuspid Hook Alt.Torque</b>	-7°	+8°	0.038	0.97	9X5-0221-100	9X5-0211-100	9X5-0222-100	9X5-0212-100
<b>Univ. Bicuspid</b>	-7°	0°	0.041	1.0414	9X1-1241-000	9X1-1241-000	9X1-1242-000	9X1-1242-000
<b>Univ. Bicuspid Hook</b>	-7°	0°	0.041	1.0414	9X1-1241-100	9X1-1241-100	9X1-1242-100	9X1-1242-100
Mandibular	Torque	Ang.	inch	IN / OUTmm	.018 Right	.018 Left	.022 Right	.022 Left
<b>Low Anterior</b>	-6°	0°	0.060	1.52	9X5-0641-000	9X5-0641-000	9X5-0642-000	9X5-0642-000
<b>Cuspid</b>	-11°	5°	0.038	0.97	9X5-0281-000	9X5-0271-000	9X5-0282-000	9X5-0272-000
<b>Cuspid Hook</b>	-11°	5°	0.038	0.97	9X5-0281-100	9X5-0271-100	9X5-0282-100	9X5-0272-100
<b>Cuspid Alt.Torque</b>	-6°	3°	0.038	0.97	9X5-0301-000	9X5-0291-000	9X5-0302-000	9X5-0292-000
<b>Cuspid Hook Alt.Torque</b>	-6°	3°	0.038	0.97	9X5-0301-100	9X5-0291-100	9X5-0302-100	9X5-0292-100
<b>Univ. 1ST Bicuspid</b>	-17°	0°	0.04	1.09	9X1-0311-000	9X1-0311-000	9X1-0312-000	9X1-0312-000
<b>Univ. 2ND Bicuspid</b>	-17°	0°	0.04	1.09	9X5-0311-000	9X5-0311-000	9X5-0312-000	9X5-0312-000
<b>Univ. 1ST Bicuspid Hook</b>	-17°	0°	0.04	1.09	9X1-0311-100	9X1-0311-100	9X1-0312-100	9X1-0312-100
<b>Univ. 2ND Bicuspid Hook</b>	-22°	0°	0.04	1.09	9X5-0311-100	9X5-0311-100	9X5-0312-100	9X5-0312-100

## 9X5 SERIES



# CLEAR CERAMIC BRACKET



CLEAR CERAMIC BRACKET 9X1 SILVER SERIES

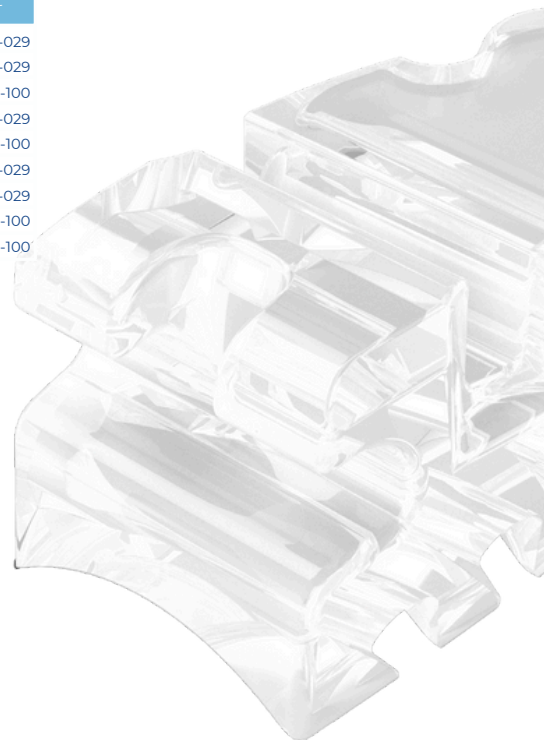
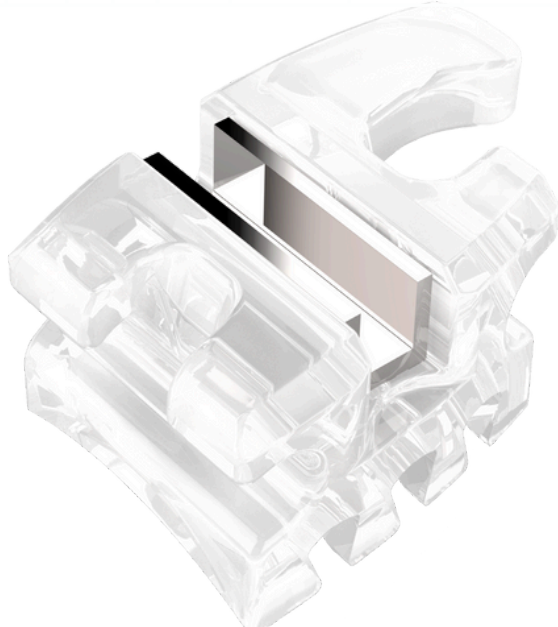
Maxillary	Torque	Ang.	inch	IN / OUTmm	.018 Right	.018 Left	.022 Right	.022 Left
<b>Central</b>	12°	5°	0.041	1.0414	9X1-0161-029	9X1-0151-029	9X1-0162-029	9X1-0152-029
<b>Lateral</b>	8°	9°	0.041	1.0414	9X1-0181-029	9X1-0171-029	9X1-0182-029	9X1-0172-029
<b>Cuspid</b>	0°	11°	0.06	1.524	9X1-0201-029	9X1-0191-029	9X1-0202-029	9X1-0192-029
<b>Cuspid Hook</b>	0°	11°	0.06	1.524	9X1-0201-129	9X1-0191-129	9X1-0202-129	9X1-0192-129
<b>Univ. Bicuspid</b>	-7°	0°	0.041	1.0414	9X1-1241-029	9X1-1241-029	9X1-1242-029	9X1-1242-029
<b>Univ. Bicuspid Hook</b>	-7°	0°	0.041	1.0414	9X1-1241-129	9X1-1241-129	9X1-1242-129	9X1-1242-129
Mandibular	Torque	Ang.	inch	IN / OUTmm	.018 Right	.018 Left	.022 Right	.022 Left
<b>Low Anterior</b>	0°	0°	0.06	1.524	9X1-0641-029	9X1-0641-029	9X1-0642-029	9X1-0642-029
<b>Cuspid</b>	-11°	5°	0.04	1.0414	9X1-0281-029	9X1-0271-029	9X1-0282-029	9X1-0272-029
<b>Cuspid Hook</b>	-11°	5°	0.04	1.0414	9X1-0281-129	9X1-0271-129	9X1-0282-129	9X1-0272-129
<b>Univ. 1ST Bicuspid</b>	-17°	0°	0.04	1.0414	9X1-0311-029	9X1-0311-029	9X1-0312-029	9X1-0312-029
<b>Univ. 1ST Bicuspid Hook</b>	-17°	0°	0.04	1.0414	9X1-0311-129	9X1-0311-129	9X1-0312-129	9X1-0312-129
<b>Univ. 2ND Bicuspid</b>	-22°	0°	0.04	1.0414	9X1-0351-029	9X1-0351-029	9X1-0352-029	9X1-0352-029
<b>Univ. 2ND Bicuspid Hook</b>	-22°	0°	0.04	1.0414	9X1-0351-129	9X1-0351-129	9X1-0352-129	9X1-0352-129

## 9X1 SILVER SERIES

CLEAR CERAMIC BRACKET 9X5 SILVER SERIES

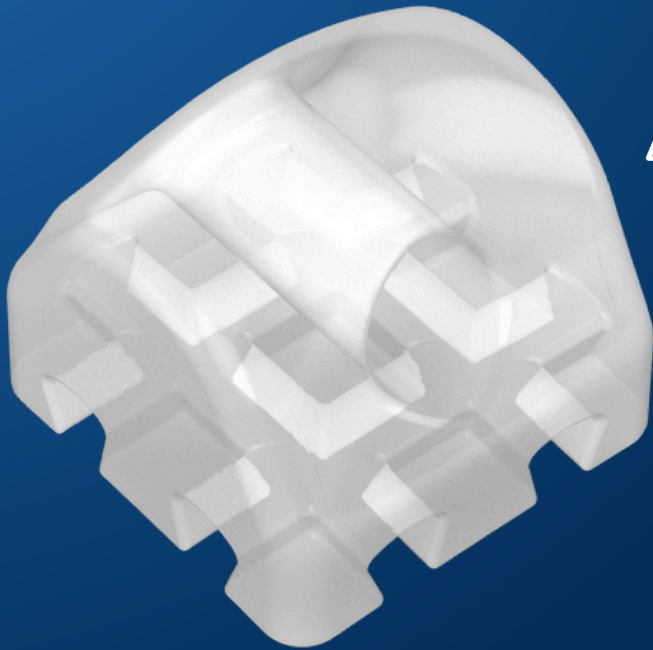
Maxillary	Torque	Ang.	inch	IN / OUTmm	.018 Right	.018 Left	.022 Right	.022 Left
<b>Central</b>	12°	5°	0.041	1.0414	9X5-0161-029	9X5-0151-029	9X5-0162-029	9X5-0152-029
<b>Lateral</b>	8°	9°	0.041	1.0414	9X5-0181-029	9X5-0171-029	9X5-0182-029	9X5-0172-029
<b>Cuspid</b>	0°	11°	0.060	1.524	9X5-0201-029	9X5-0191-029	9X5-0202-029	9X5-0192-029
<b>Cuspid Hook</b>	0°	11°	0.060	1.524	9X5-0201-100	9X5-0191-100	9X5-0202-100	9X5-0192-100
<b>Cuspid Alt.Torque</b>	-7°	+8°	0.038	0.97	9X5-0221-029	9X5-0211-029	9X5-0222-029	9X5-0212-029
<b>Cuspid Hook Alt.Torque</b>	-7°	+8°	0.038	0.97	9X5-0221-100	9X5-0211-100	9X5-0222-100	9X5-0212-100
<b>Univ. Bicuspid</b>	-7°	0°	0.041	1.0414	9X1-1241-029	9X1-1241-029	9X1-1242-029	9X1-1242-029
<b>Univ. Bicuspid Hook</b>	-7°	0°	0.041	1.0414	9X1-1241-100	9X1-1241-100	9X1-1242-100	9X1-1242-100
Mandibular	Torque	Ang.	inch	IN / OUTmm	.018 Right	.018 Left	.022 Right	.022 Left
<b>Low Anterior</b>	-6°	0°	0.060	1.52	9X5-0641-029	9X5-0641-029	9X5-0642-029	9X5-0642-029
<b>Cuspid</b>	-11°	5°	0.038	0.97	9X5-0281-029	9X5-0271-029	9X5-0282-029	9X5-0272-029
<b>Cuspid Hook</b>	-11°	5°	0.038	0.97	9X5-0281-100	9X5-0271-100	9X5-0282-100	9X5-0272-100
<b>Cuspid Alt.Torque</b>	-6°	3°	0.038	0.97	9X5-0301-029	9X5-0291-029	9X5-0302-029	9X5-0292-029
<b>Cuspid Hook Alt.Torque</b>	-6°	3°	0.038	0.97	9X5-0301-100	9X5-0291-100	9X5-0302-100	9X5-0292-100
<b>Univ. 1ST Bicuspid</b>	-17°	0°	0.04	1.09	9X1-0311-029	9X1-0311-029	9X1-0312-029	9X1-0312-029
<b>Univ. 2ND Bicuspid</b>	-17°	0°	0.04	1.09	9X5-0311-029	9X5-0311-029	9X5-0312-029	9X5-0312-029
<b>Univ. 1ST Bicuspid Hook</b>	-17°	0°	0.04	1.09	9X1-0311-100	9X1-0311-100	9X1-0312-100	9X1-0312-100
<b>Univ. 2ND Bicuspid Hook</b>	-22°	0°	0.04	1.09	9X5-0311-100	9X5-0311-100	9X5-0312-100	9X5-0312-100

## 9X5 SILVER SERIES



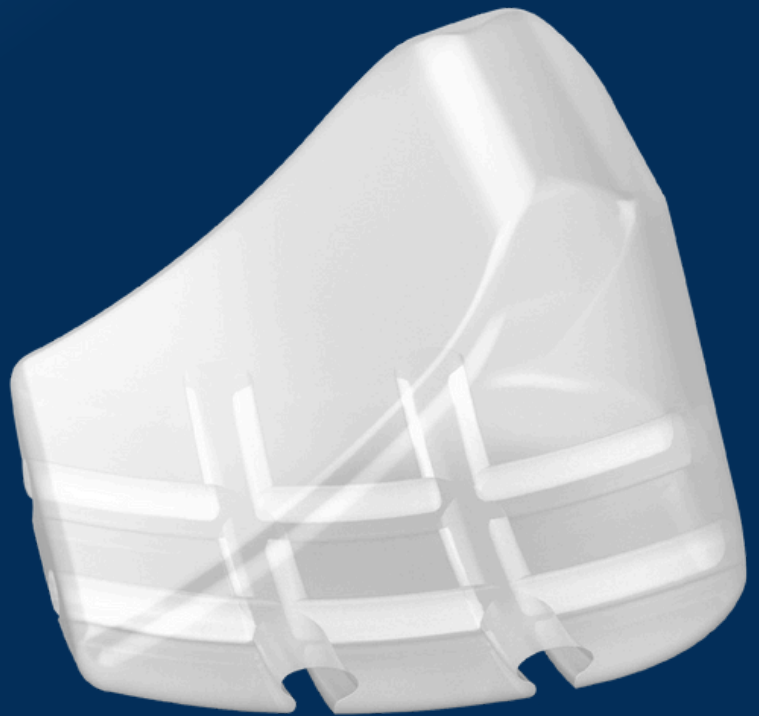
# CLEAR COMPOSITE BITE GUIDES

---

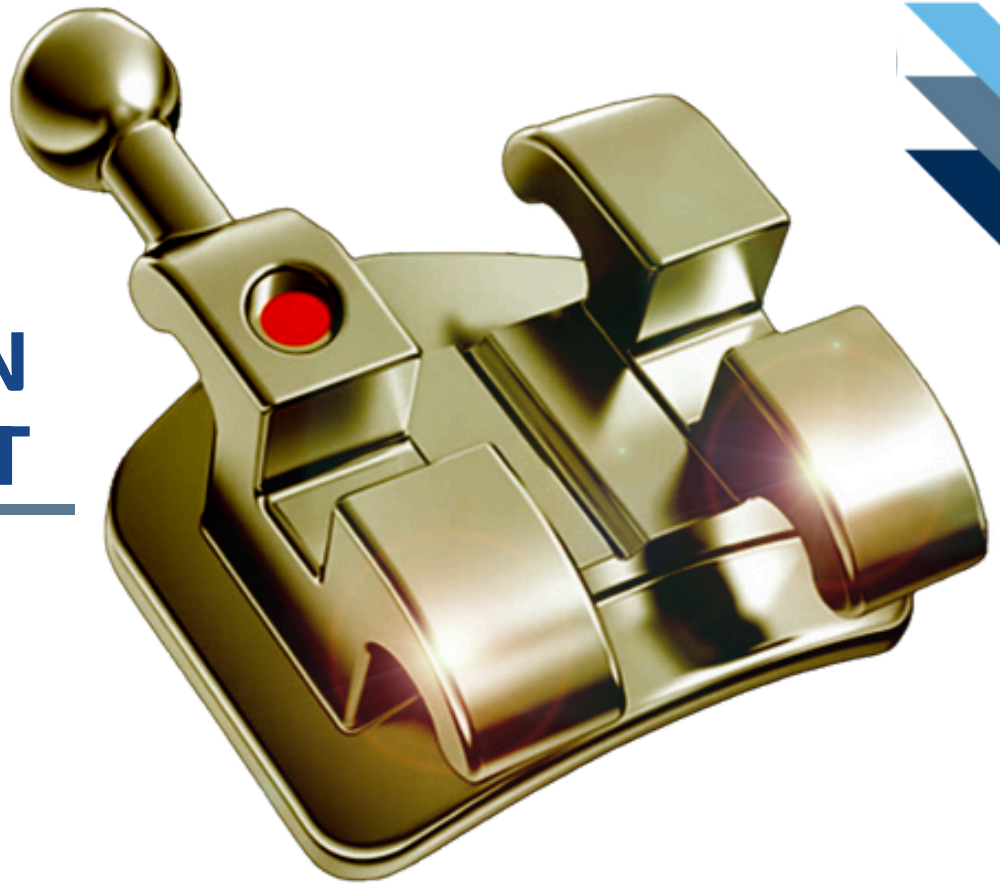


**4B1 SERIES**

**430 BITE BUILDER**



# AU-TWIN BRACKET

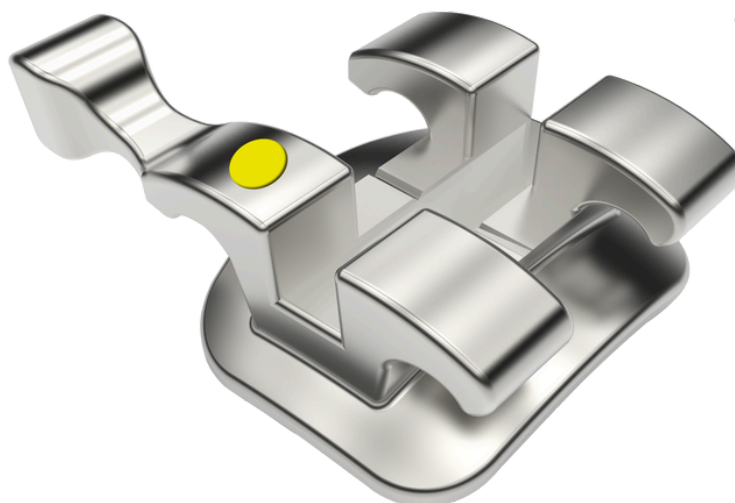


## SLOT 0.18 MBT PRESCRIPTION

	LEFT		RIGHT
MANDIBULAR	Part Number		Part Number
<b>CHARM gold bracket no hook .018 MBT Lower Anterior</b>	GB-1034		
<b>CHARM gold bracket hook .018 MBT LL3</b>	GB-1039	<b>CHARM gold bracket hook .018 MBT LR3</b>	GB-1042
<b>CHARM gold bracket hook .018 MBT LL4</b>	GB-1040	<b>CHARM gold bracket hook .018 MBT LR4</b>	GB-1043
<b>CHARM gold bracket hook .018 MBT LL5</b>	GB-1041	<b>CHARM gold bracket hook .018 MBT LR5</b>	GB-1044

	LEFT		RIGHT
MAXILARY	Part Number		Part Number
<b>CHARM gold bracket no hook .018 MBT UL1</b>	GB-1034	<b>CHARM gold bracket no hook .018 MBT UR1</b>	GB-1032
<b>CHARM gold bracket no hook .018 MBT UL2</b>	GB-1039	<b>CHARM gold bracket no hook .018 MBT UR2</b>	GB-1042
<b>CHARM gold bracket hook .018 MBT UL3</b>	GB-1040	<b>CHARM gold bracket hook .018 MBT UR3</b>	GB-1043
<b>CHARM gold bracket hook .018 MBT UL4/UL5</b>	GB-1041	<b>CHARM gold bracket hook .018 MBT UR4/UR5</b>	GB-1044

# MAXI METAL TWIN BRACKET



## SLOT 0.22 MBT PRESCRIPTION

LEFT				RIGHT		
MANDIBULAR	In/Out	Mesial/ Distal	Part Number	In/Out	Mesial/ Distal	Part Number
<b>Lower Anterior L/R</b>	1.1 mm	2.4 mm	BK-4075			
<b>CUSPID</b>	.5 mm	3.0 mm	BK-4003	.5 mm	3.0 mm	BK-4021
<b>1ST BICUSPID</b>	.5 mm	2.9 mm	BK-4009	.5 mm	2.9 mm	BK-4027
<b>2ND BICUSPID</b>	.5 mm	2.9 mm	BK-4015	.5 mm	2.9 mm	BK-4033

LEFT				RIGHT		
MAXILARY	In/Out	Mesial/ Distal	Part Number	In/Out	Mesial/ Distal	Part Number
<b>CENTRAL</b>	.8 mm	3.4 mm	BK-4134	.8 mm	3.4 mm	BK-4164
<b>LATERAL</b>	1.1 mm	2.8 mm	BK-4140	1.1 mm	2.8 mm	BK-4170
<b>CUSPID</b>	.5 mm	3.0 mm	BK-4039	.5 mm	3.0 mm	BK-4057
<b>1ST/2ND BICUSPID</b>	.5 mm	2.8 mm	BK-4045	.5 mm	2.8 mm	BK-4063

## ROTH PRESCRIPTION

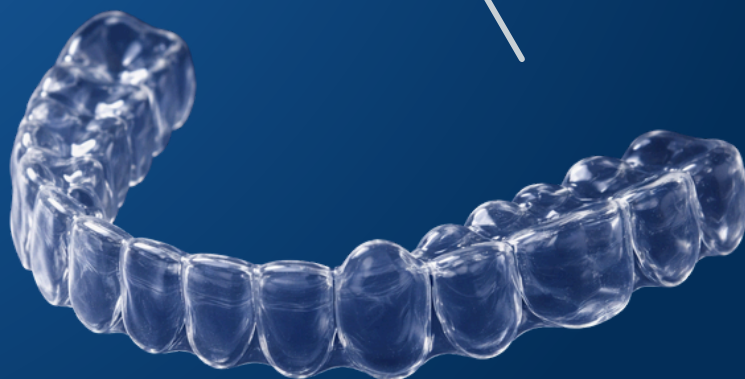
LEFT				RIGHT		
MANDIBULAR	In/Out	Mesial/ Distal	Part Number	In/Out	Mesial/ Distal	Part Number
<b>Lower Anterior L/R</b>	.9 mm	2.4 mm	BK-4077			
<b>CUSPID</b>	.5 mm	3.0 mm	BK-4005	.5 mm	3.0 mm	BK-4023
<b>1ST BICUSPID</b>	.5 mm	2.8 mm	BK-4011	.5 mm	2.8 mm	BK-4029
<b>2ND BICUSPID</b>	.5 mm	2.8 mm	BK-4017	.5 mm	2.8 mm	BK-4035

LEFT				RIGHT		
MAXILARY	In/Out	Mesial/ Distal	Part Number	In/Out	Mesial/ Distal	Part Number
<b>CENTRAL</b>	.9 mm	3.2 mm	BK-4136	.9 mm	3.2 mm	BK-4166
<b>LATERAL</b>	1.4 mm	2.7 mm	BK-4142	1.4 mm	2.7 mm	BK-4172
<b>CUSPID</b>	.9 mm	3.0 mm	BK-4041	.9 mm	3.0 mm	BK-4059

# CLEAR ALIGNERS

Maximum transparency



Personalize trimline

Excellent flexibility



# The clear aligner one-stop-shop

Create your own brand with our clear aligners services

➤ Treatment Planning Services

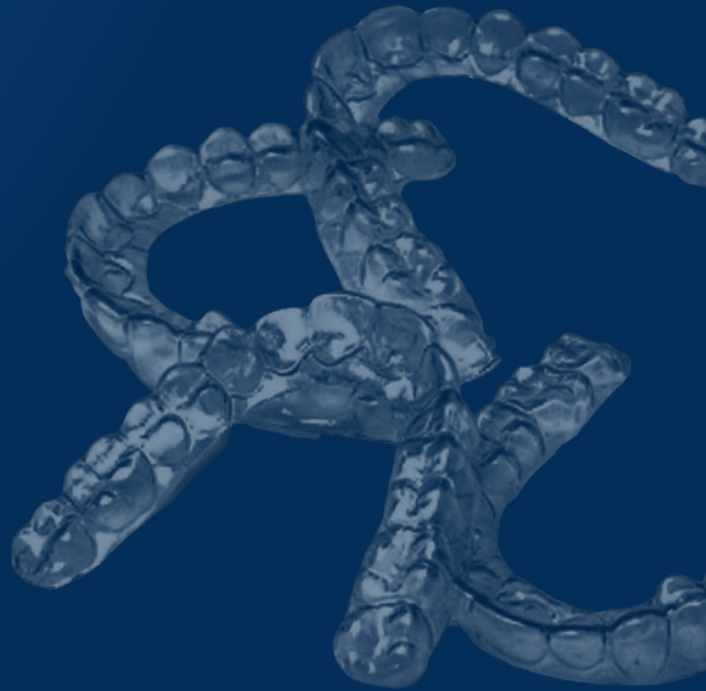
➤ White Label Portal

➤ Production Files

➤ Quality Aligners

➤ Fixed Retainers

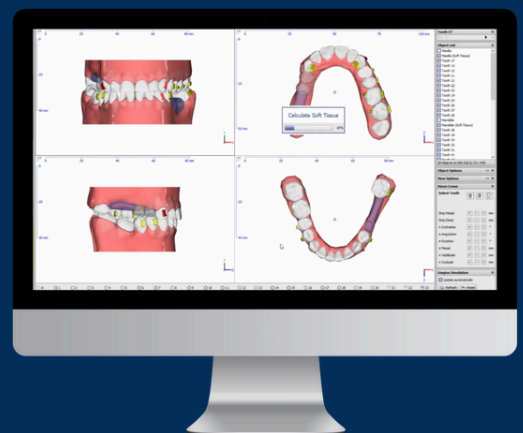
➤ Packaging



## Are you printing your own aligners?

We deliver expert treatment planning and print-ready files, fully adapted to your workflow.

Our team works with multiple software environments, ensuring seamless integration with your in-house aligner production.





CDB CORP | [www.cdbcorp.net](http://www.cdbcorp.net) | 8770 Trade Street LELAND, NC 28451